

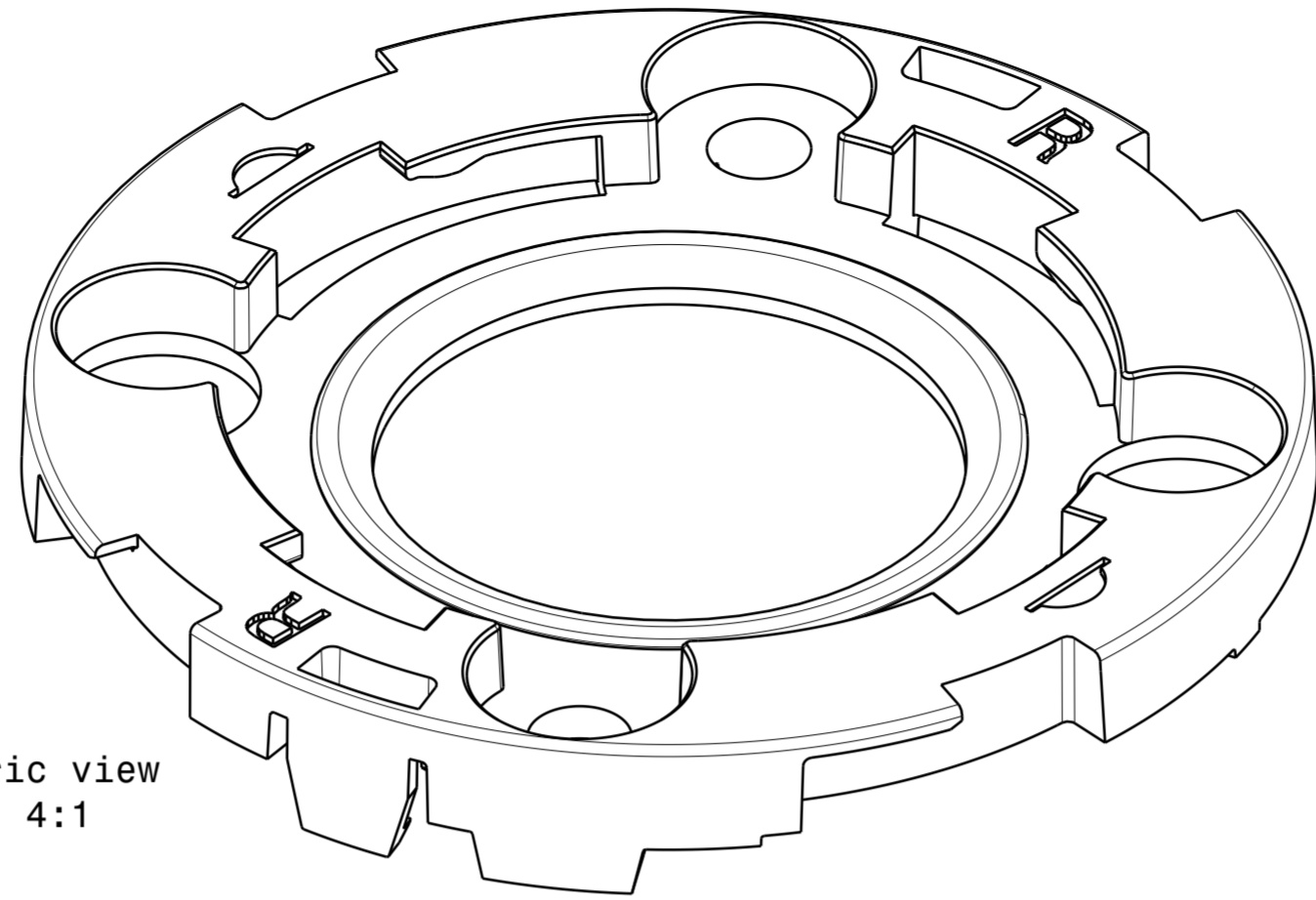
DETAILS

Product Number	C16142_HEKLA-SOCKET-K
Family	Konntakt
Type	Base part
Color	white
Diameter	44 mm
Height	5,5 mm
Style	round
Optic Material	
Holder Material	PC
Fastening	screw
Status	production ready
ROHS Compliant	Yes
Date Updated	18/10/2017

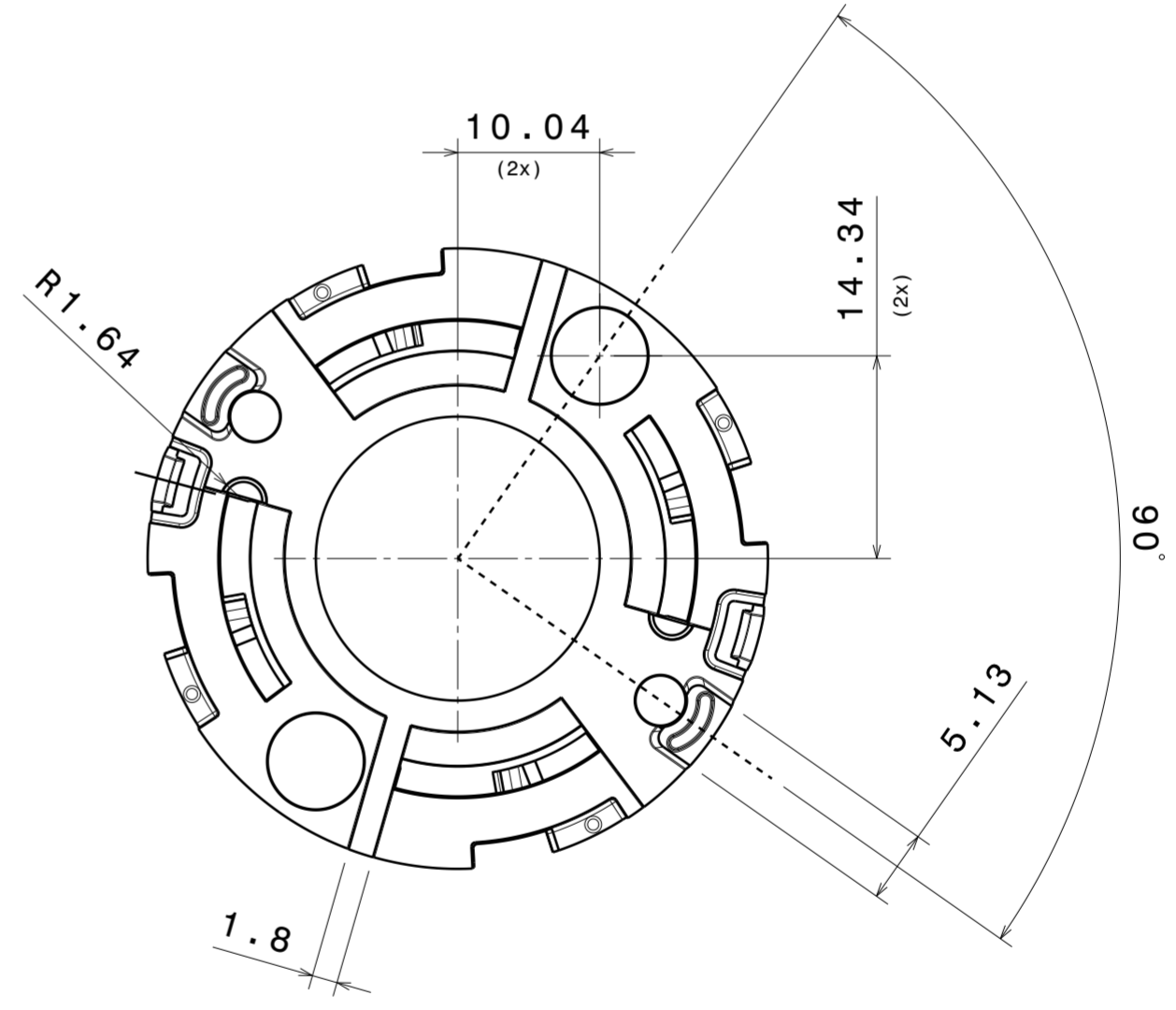
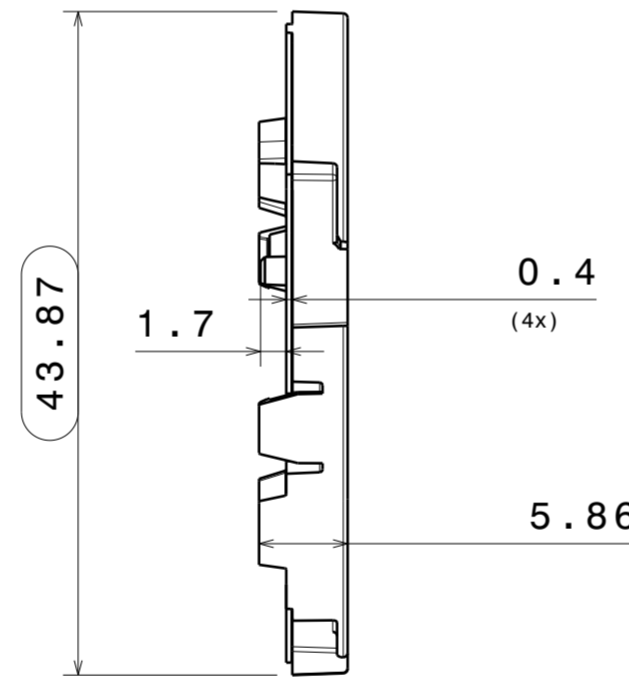
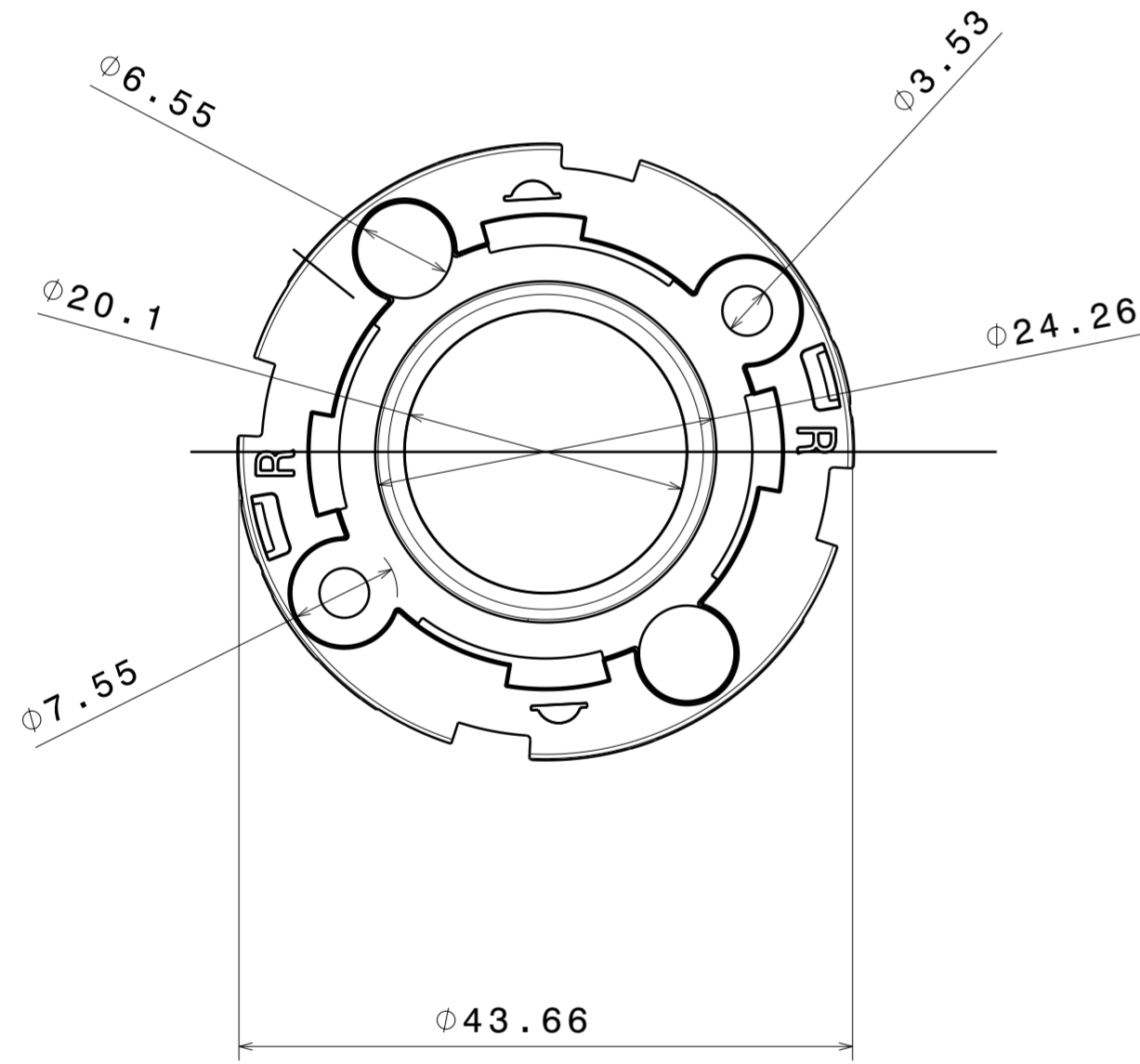


OPTICAL PROPERTIES

LED	Viewing Angle	Light Beam	Efficiency	cd/lm	Connector
VERO13	NA deg		-	sim: 0.000	-
VERO18	NA deg		-	sim: 0.000	-
Vesta TW 9mm (12W)	NA deg		-	sim: 0.000	Bender Wirth: 489 Typ L8
Vesta DTW 9mm (6W/12W)	NA deg		-	sim: 0.000	Bender Wirth: 490 Typ L8
Vesta DTW 15mm (33W)	NA deg		-	sim: 0.000	Bender Wirth: 491 Typ L8
Vesta TW 13mm (25W)	NA deg		-	sim: 0.000	Bender Wirth: 492 Typ L8
LCN-C01B (Tunable White)	NA deg		-	sim: 0.000	Bender Wirth: 481 Typ L8
LCN-C02B (Tunable White)	NA deg		-	sim: 0.000	Bender Wirth: 481 Typ L8
CLC020 Series (Dim-To-Warm)	NA deg		-	sim: 0.000	Bender Wirth: 487 Typ L8
CLC030 Series (Dim-To-Warm)	NA deg		-	sim: 0.000	Bender Wirth: 436 Typ L8
CDM-18 (Dim-To-Warm)	NA deg		-	sim: 0.000	Bender Wirth: 491 Typ L8
CDM-14 (Dim-To-Warm)	NA deg		-	sim: 0.000	Bender Wirth: 491 Typ L8
CDM-9 (Dim-To-Warm)	NA deg		-	sim: 0.000	Bender Wirth: 490 Typ L8
CDM-6 (Dim-To-Warm)	NA deg		-	sim: 0.000	Bender Wirth: 490 Typ L8
CTM-18 (Tunable White)	NA deg		-	sim: 0.000	Bender Wirth: 442 Typ L8
CTM-14 (Tunable White)	NA deg		-	sim: 0.000	Bender Wirth: 442 Typ L8
CTM-9 (Tunable White)	NA deg		-	sim: 0.000	Bender Wirth: 495 Typ L8



Isometric view
Scale: 4:1



INDEX	PART NO	DESCRIPTION	MATERIAL	COLOUR
1	C16142	HEKLA-SOCKET-K	PC Makrolon 2407	white

LEGEND	
1	Inspectional dimensions marked with:
2	See CAD file for detailed geometry information. Surface finishing markings are only shown in drawing level.
Surface finish:	-
Finish specifications:	-
LEDiL PROPRIETARY	This drawing is the property of LEDiL Oy. It may not be reproduced, copied or communicated without a written agreement with LEDiL Oy.

Tolerances if not otherwise shown
According to DIN ISO 2768-1
Linear measures:
Up to 30mm class F, otherwise class M.
According to DIN ISO 2768-2
Form and position: class K
Control for SPC marked dimensions.

FIRST ANGLE PROJECTION:

DRAWN BY	DATE
Kim Kaski	27.3.2017
CHECKED BY	DATE
DESIGNED BY	DATE
kk	

		LediL Oy Salorankatu 10 FIN 24240 SALO Finland	
DRAWING TITLE C16142_HEKLA-SOCKET-K_MECHMODEL			
SIZE	PART NUMBER	REV	
A2	C16142	001	
SCALE	1:1	WEIGHT	2,76 g
SHEET		1/1	

NOTE: The typical divergence will be changed by different color, chip size and chip position tolerance. The typical total divergence is the full angle measured where the luminous intensity is half of the peak value.

GENERAL INFORMATION

- Product series especially designed & optimized for series of LEDs.
- Special care taken to make light distribution as uniform as possible.

Note! Due to use of high power COB's with this product, special attention to proper thermal design is highly recommended. LEDiL has no liability for direct, indirect or consecutive damages arising from the LEDiL products being used outside of the recommended temperature range.