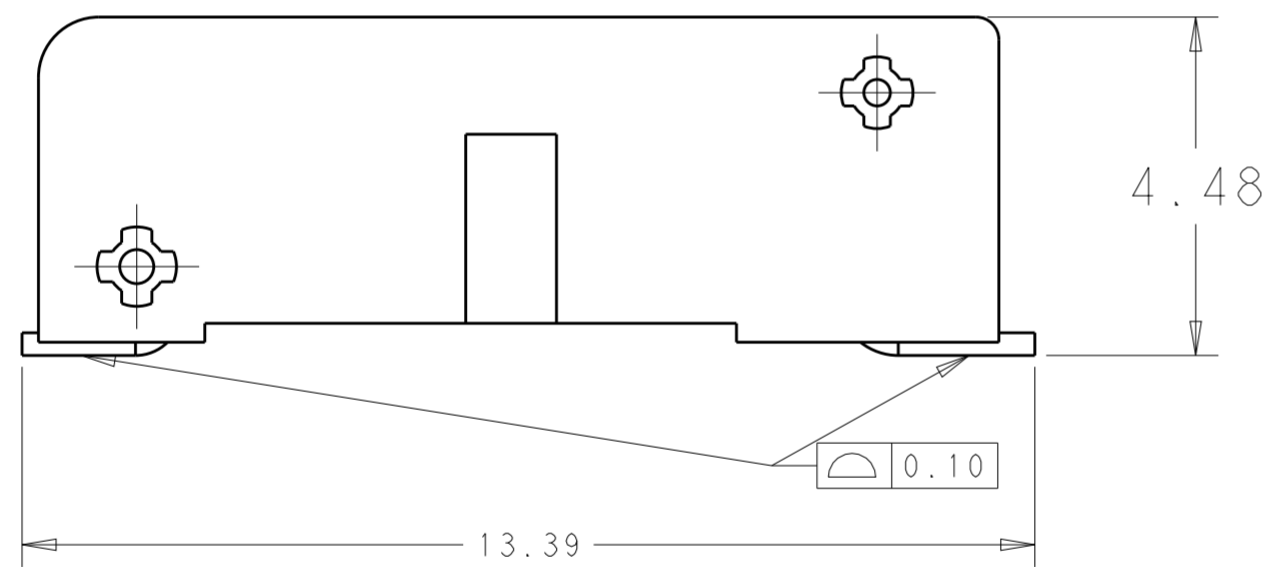
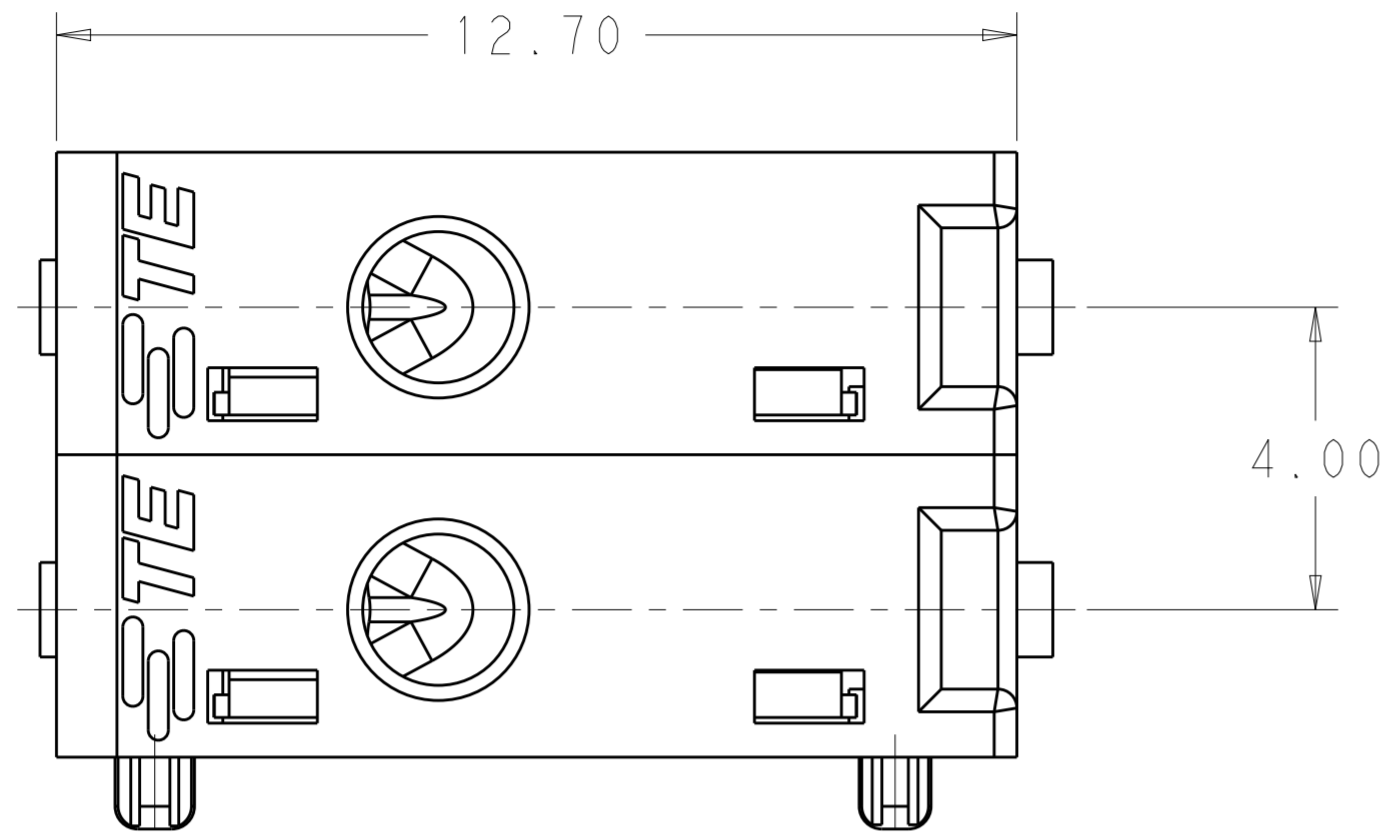


THIS DRAWING IS UNPUBLISHED. RELEASED FOR PUBLICATION 20  
 © COPYRIGHT 20 BY - ALL RIGHTS RESERVED.

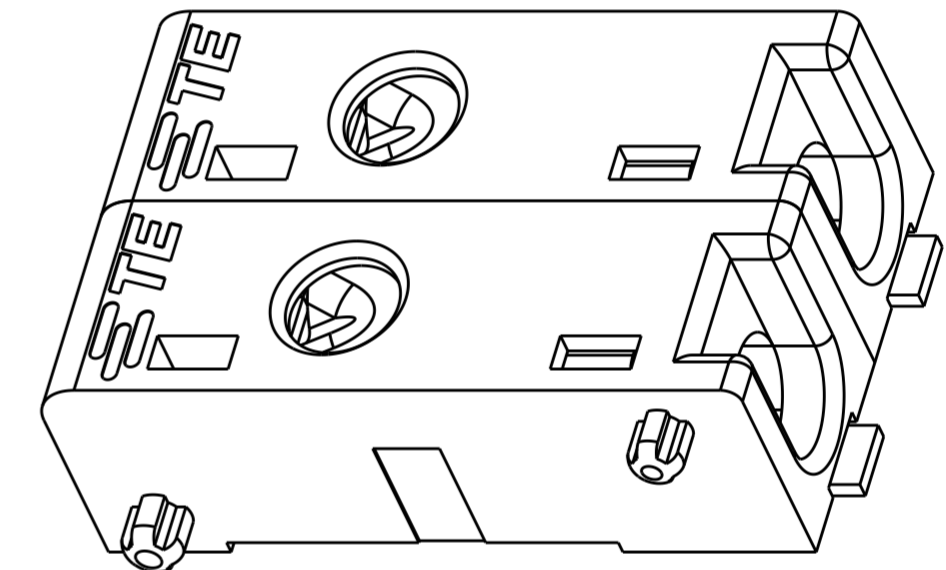
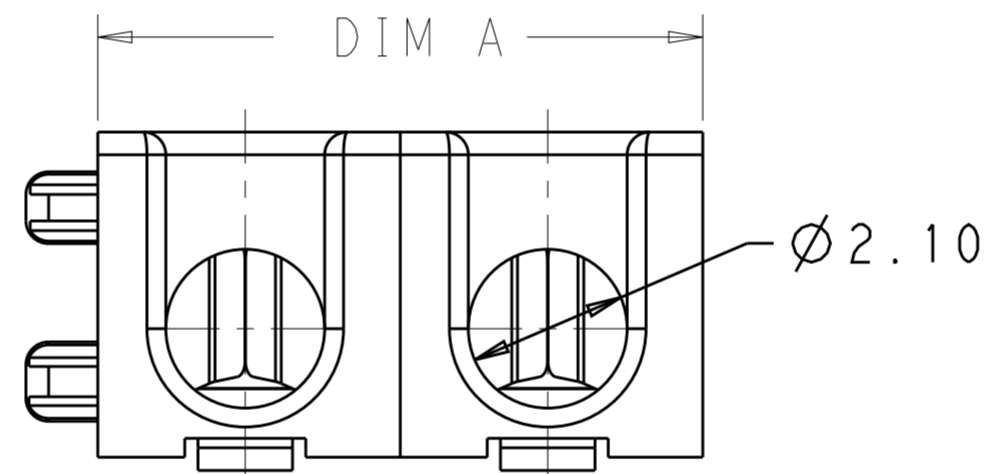
REVISIONS				
P	LTR	DESCRIPTION	DATE	APVD
B		ECR-15-016620, ADD PCB LAYOUT	20NOV2015	G.F S.M
B2		ADD P/N:5-2834006-1 and PACKAGE	25MAY2016	G.F S.M
B3		ECR-17-010993:UPDATE THE 3-2834006-4 DESC	28JUL2017	G.F S.M
B4		ECR-17-013140 ADD NEW PART	08SEP2017	G.F S.M

NOTES :

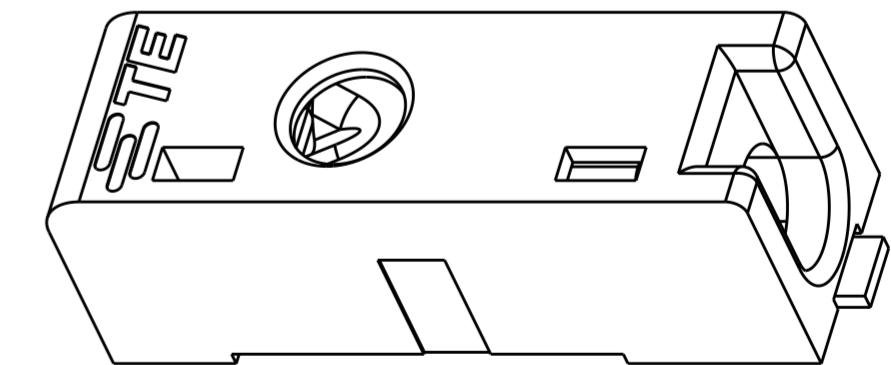
- ⚠ MATERIALS AND FINISH:  
 - HOUSING: HIGH TEMPERATURE RESIN  
 - CONTACTS: COPPER ALLOY, FINISH: PRE-TIN OVER NICKEL UNDERPLATE
- MUST COMPLY WITH DIRECTIVE 2002/95/EC (ROHS)
- WIRE TYPES AND SIZES ACCEPTED  
 SOLID WIRE: 18AWG, 20AWG, 22AWG, 16AWG (ONLY ONE TIME INSERTING)  
 STRANDED WIRE(TIN-DIPPED): 18AWG(STRANDS:16); 20AWG(STRANDS:7);  
 22AWG(STRANDS:7)  
 MAX INSULATION OD: 2.05mm MAX.  
 STRIP LENGTH: 8.0±0.5mm
- PACKAGED IN TAPE AND REEL




SCALE 10:1



NORMAL TYPE

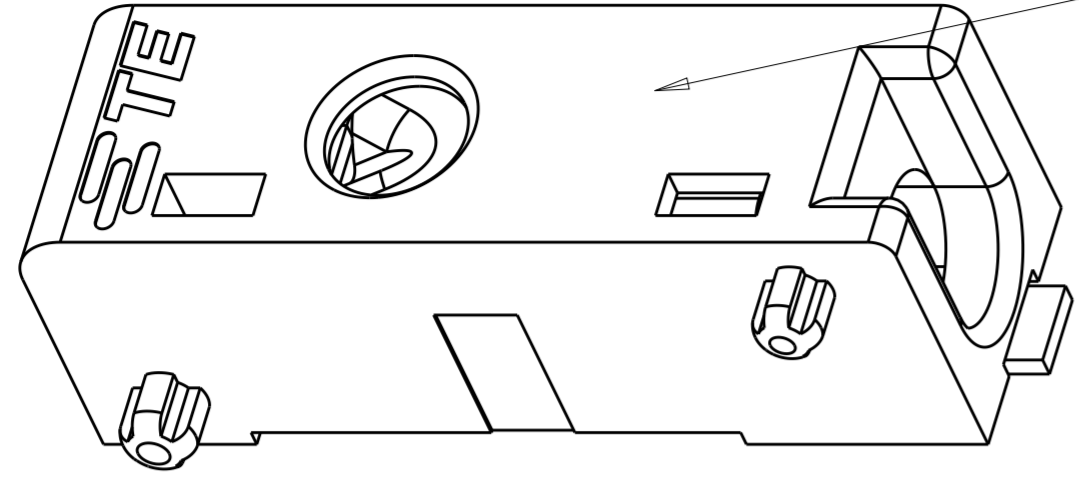


P/N: 5-2834006-1

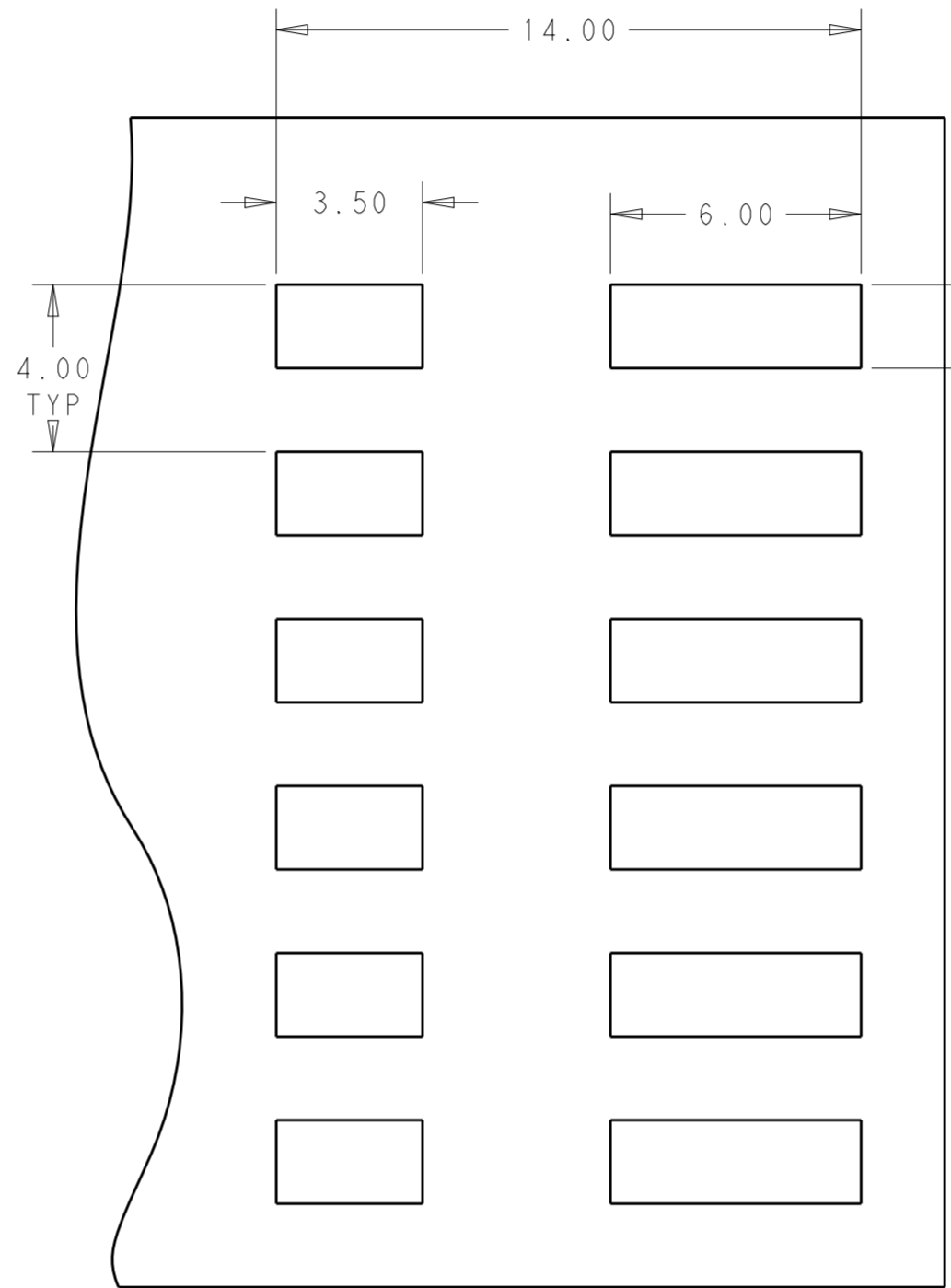
THIS DRAWING IS A CONTROLLED DOCUMENT.		DWN GEORGE FU 28JUL2017	 TE Connectivity																						
DIMENSIONS:		CHK SHI MING 28JUL2017																							
mm	TOLERANCES UNLESS OTHERWISE SPECIFIED:	APVD XU XIANG 28JUL2017	NAME CONNECTOR ASSEMBLY RELEASABLE POKE-IN																						
<table border="1"> <tr> <td>0 PLC</td> <td>±</td> </tr> <tr> <td>1 PLC</td> <td>±0.2</td> </tr> <tr> <td>2 PLC</td> <td>±0.13</td> </tr> <tr> <td>3 PLC</td> <td>±</td> </tr> <tr> <td>4 PLC</td> <td>±</td> </tr> <tr> <td>ANGLES</td> <td>±</td> </tr> <tr> <td>FINISH</td> <td>-</td> </tr> </table>	0 PLC	±	1 PLC	±0.2	2 PLC	±0.13	3 PLC	±	4 PLC	±	ANGLES	±	FINISH	-	<table border="1"> <tr> <td>PRODUCT SPEC</td> <td>108-137055</td> </tr> <tr> <td>APPLICATION SPEC</td> <td>114-137055</td> </tr> <tr> <td>WEIGHT</td> <td>-</td> </tr> </table>	PRODUCT SPEC	108-137055	APPLICATION SPEC	114-137055	WEIGHT	-	SIZE A2	CAGE CODE -	DRAWING NO G-2834006	RESTRICTED TO -
0 PLC	±																								
1 PLC	±0.2																								
2 PLC	±0.13																								
3 PLC	±																								
4 PLC	±																								
ANGLES	±																								
FINISH	-																								
PRODUCT SPEC	108-137055																								
APPLICATION SPEC	114-137055																								
WEIGHT	-																								
MATERIAL		CUSTOMER DRAWING		SCALE 10:1	SHEET 1 OF 4	REV B4																			

THIS DRAWING IS UNPUBLISHED. RELEASED FOR PUBLICATION 20  
 © COPYRIGHT 20 BY - ALL RIGHTS RESERVED.

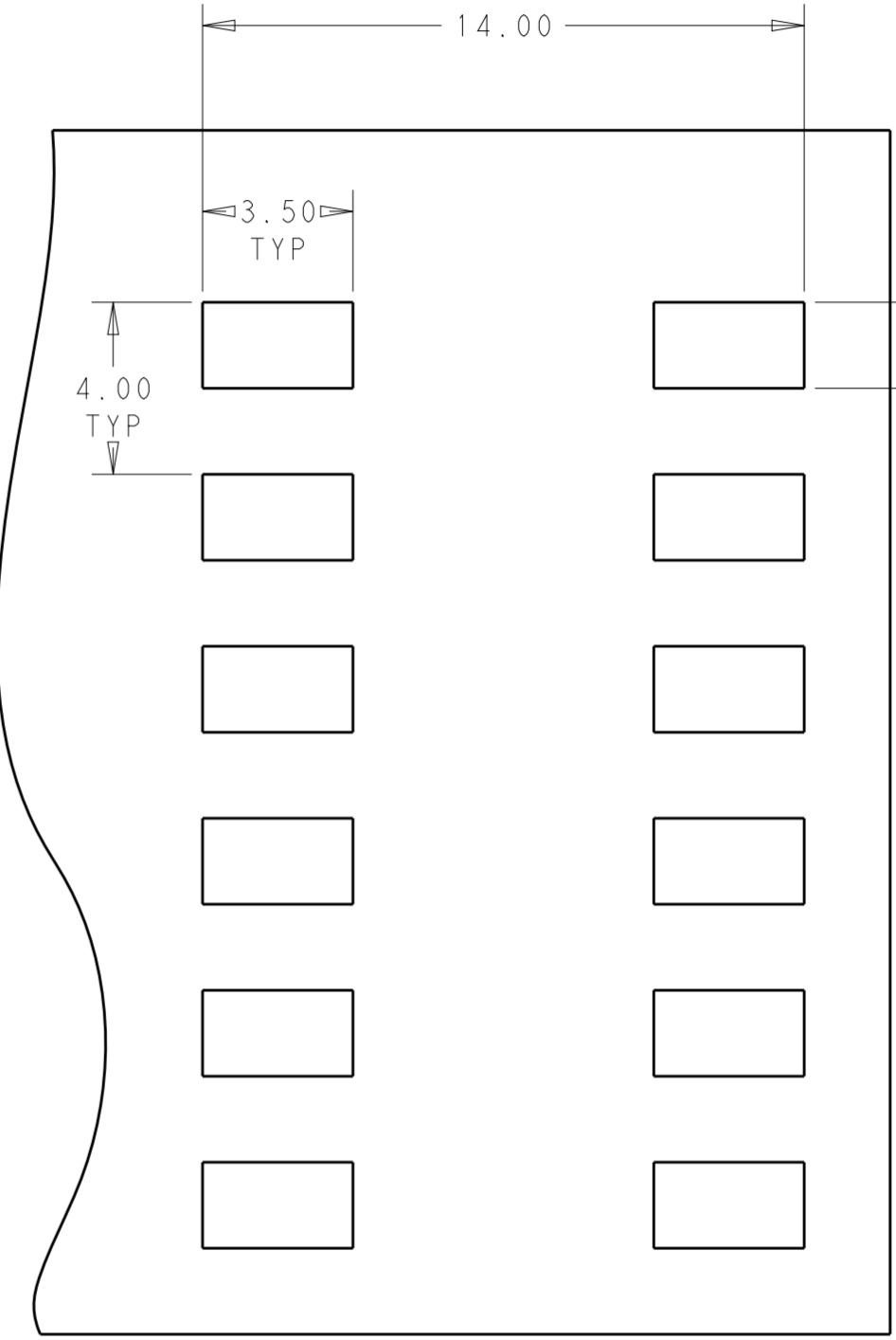
REVISIONS				
P	LTR	DESCRIPTION	DATE	APVD
-		SEE SHEET 1	-	-



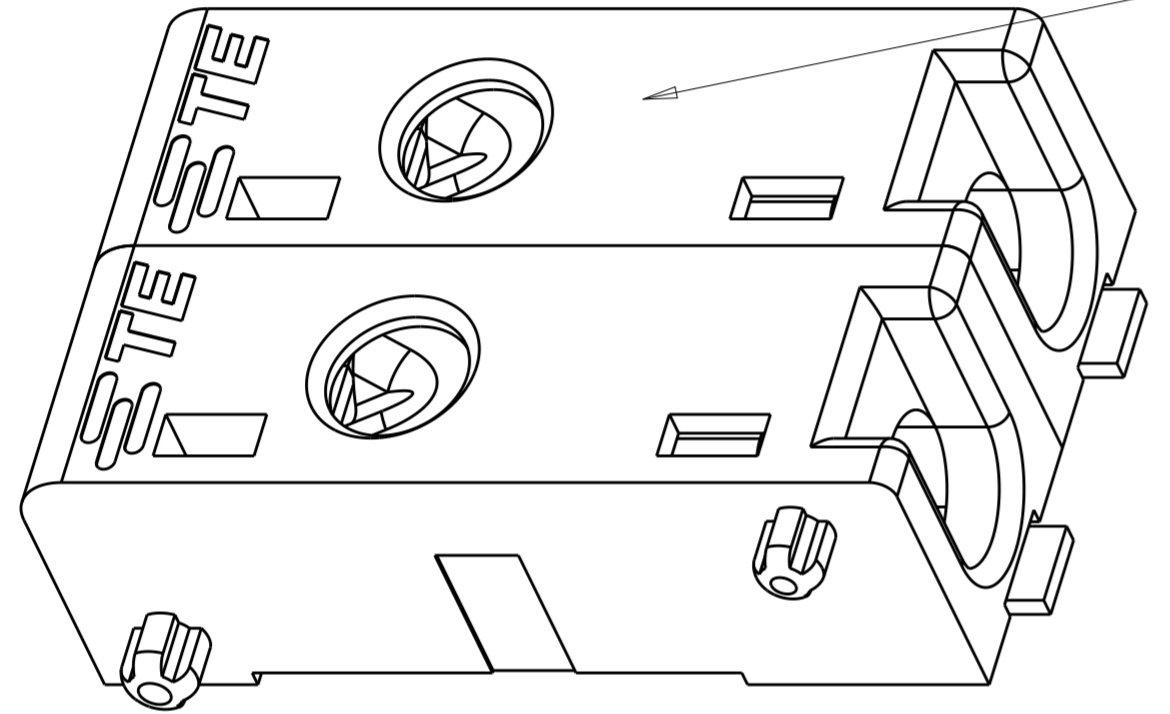
2834006-1  
SCALE 10:1



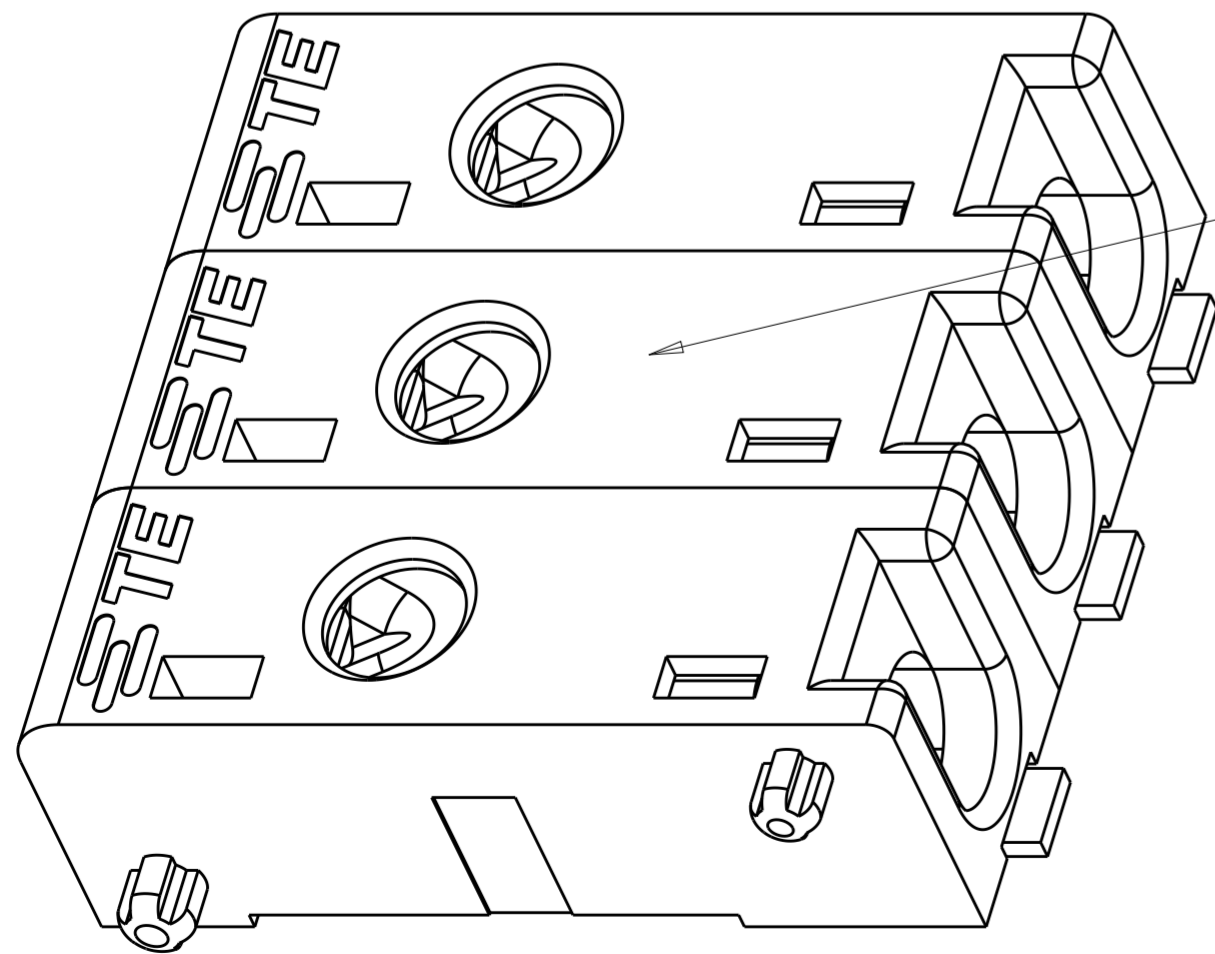
SCALE 6:1  
RECOMMENDED PCB LAYOUT




SCALE 6:1  
OPTIONAL PCB LAYOUT



2834006-2  
SCALE 10:1



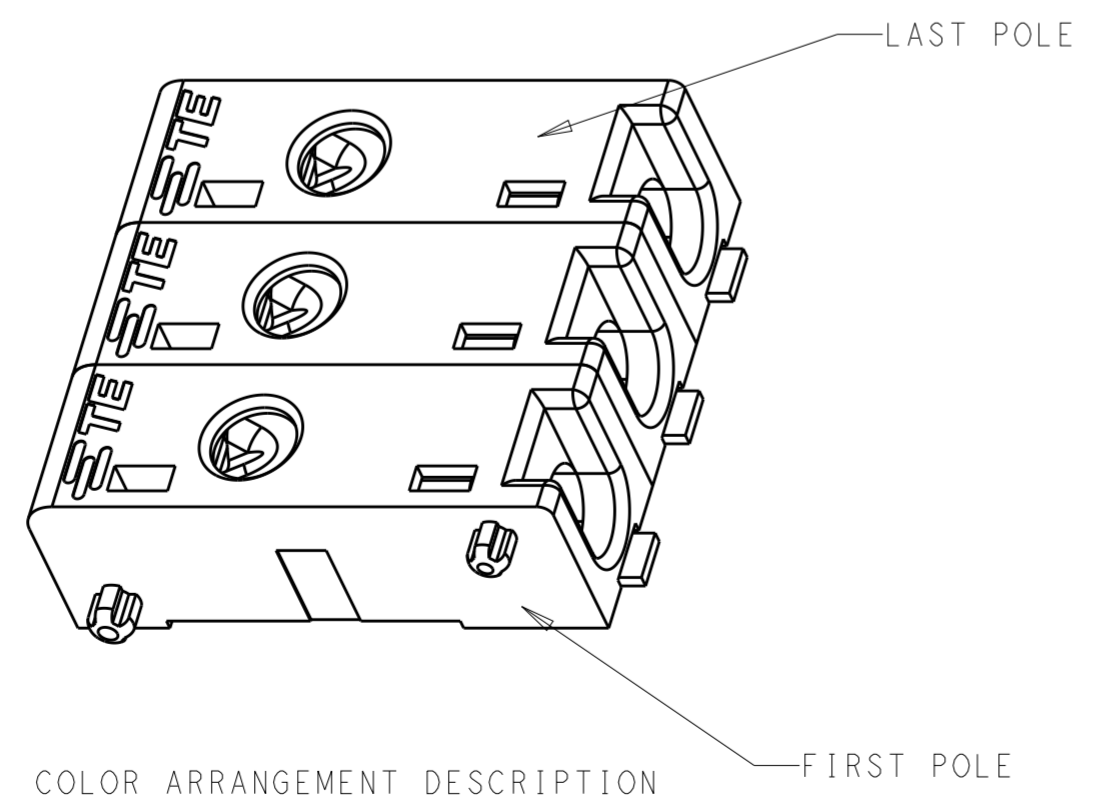
1-2834006-2  
SCALE 10:1

THIS DRAWING IS A CONTROLLED DOCUMENT.		DWN 28 JUL 2017 GEORGE FU	 TE Connectivity	
DIMENSIONS: mm		CHK 28 JUL 2017 SHI MING		
TOLERANCES UNLESS OTHERWISE SPECIFIED:		APVD 28 JUL 2017 XU XIANG	NAME CONNECTOR ASSEMBLY RELEASABLE POKE-IN	
0 PLC ±		PRODUCT SPEC 108-137055	RESTRICTED TO	
1 PLC ±0.2		APPLICATION SPEC 114-137055	SIZE A2	CAGE CODE -
2 PLC ±0.13		WEIGHT -	DRAWING NO C-2834006	SCALE 10:1
3 PLC ±		CUSTOMER DRAWING	SHEET 2 OF 4	REV B4
4 PLC ±				
ANGLES ±				
FINISH -				
MATERIAL SEE SHEET 1				

THIS DRAWING IS UNPUBLISHED. RELEASED FOR PUBLICATION 20  
 © COPYRIGHT 20 BY - ALL RIGHTS RESERVED.

REVISIONS				
P	LTR	DESCRIPTION	DATE	APVD
-	-	SEE SHEET1		

20.00	5 HSG:3 POSN	-	-	-	-	5-2834006-0	6-2834006-0	7-2834006-0	8-2834006-0	-
	COLOR	-	-	-	-	BLACK/BLACK SPACER/ RED/RED SPACER/ NATURE	NATURE/BLACK SPACER/RED/BLACK SPACER/NATURE	RED/RED SPACER /NATURE/NATURE SPACER/BLACK	NATURE/NATURE SPACER/BLACK /BLACK SPACER/RED	-
20.00	5 Position	2834006-5	2-2834006-5	3-2834006-5	4-2834006-5	5-2834006-5	6-2834006-5	7-2834006-5	8-2834006-5	9-2834006-5
	COLOR	NATURE(ALL)	BLACK(ALL)	RED(ALL)	BRIGHT WHITE (ALL)	BLACK/NATURE /BLACK/NATURE/RED	BLACK/RED/NATURE /BLACK/RED	NATURE/BLACK/RED /NATURE/RED	BLACK/NATURE/RED /BLACK/NATURE	RED/BLACK/NATURE /RED/NATURE
16.00	4 POSITION	2834006-4	2-2834006-4	3-2834006-4	4-2834006-4	5-2834006-4	6-2834006-4	7-2834006-4	8-2834006-4	9-2834006-4
	COLOR	NATURE(ALL)	BLACK(ALL)	WHITE/BLACK /RED/YELLOW	BRIGHT WHITE (ALL)	BLACK/NATURE /BLACK/NATURE	BLACK/RED /BLACK/RED	NATURE/BLACK /NATURE/RED	NATURE/RED /BLACK/NATURE	BLACK/NATURE /RED/NATURE
12.00	3 HSG; 2 POSN	1-2834006-1	1-2834006-2	1-2834006-3	1-2834006-4	1-2834006-5	1-2834006-6	1-2834006-7	1-2834006-8	1-2834006-9
	COLOR	RED(ALL)	NATURE(ALL)	BLACK(ALL)	BRIGHT WHITE (ALL)	RED/NATURE SPACER /BLACK	BLAC/RED SPACER /NATURE	NATURE/RED SPACER /BLACK	BLACK/NATURE SPACER/RED	RED/BLACK SPACER /NATURE
12.00	3 POSITION	2834006-3	2-2834006-3	3-2834006-3	4-2834006-3	5-2834006-3	6-2834006-3	7-2834006-3	8-2834006-3	9-2834006-3
	COLOR	NATURE(ALL)	BLACK(ALL)	RED(ALL)	BRIGHT WHITE (ALL)	BLACK/NATURE/RED	NATURE/RED/BLACK	RED/BLACK/NATURE	PURPLE/GRAY/PURPLE	GRAY/PURPLE/GRAY
8.00	2 POSITION	2834006-2	2-2834006-2	3-2834006-2	4-2834006-2	5-2834006-2	6-2834006-2	7-2834006-2	8-2834006-2	9-2834006-2
	COLOR	NATURE(ALL)	BLACK(ALL)	RED(ALL)	BRIGHT WHITE (ALL)	NATURE/RED	NATURE/BLACK	RED/BLACK	BLACK/NATURE	BLACK/RED
8.00	2 POSITION	1-2834006-0	2-2834006-0	-	-	-	-	-	-	-
	COLOR	GRAY/BLUE	BROWN/YELLOW	-	-	-	-	-	-	-
4.00	1 POSITION	2834006-1	2-2834006-1	3-2834006-1	4-2834006-1	5-2834006-1	6-2834006-1	-	-	-
	COLOR	NATURE	BLACK	RED	BRIGHT WHITE	NATURE/PEG CUT	BLUE	-	-	-
DIM A	POSITION No	PART No								

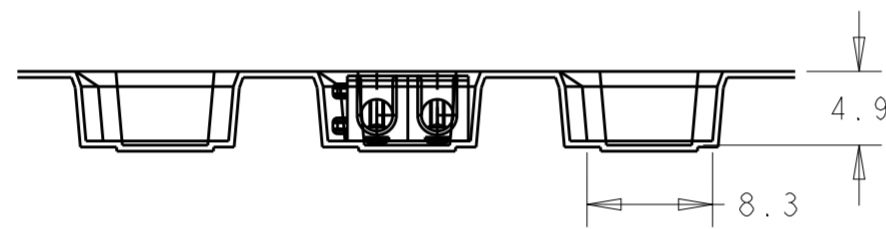
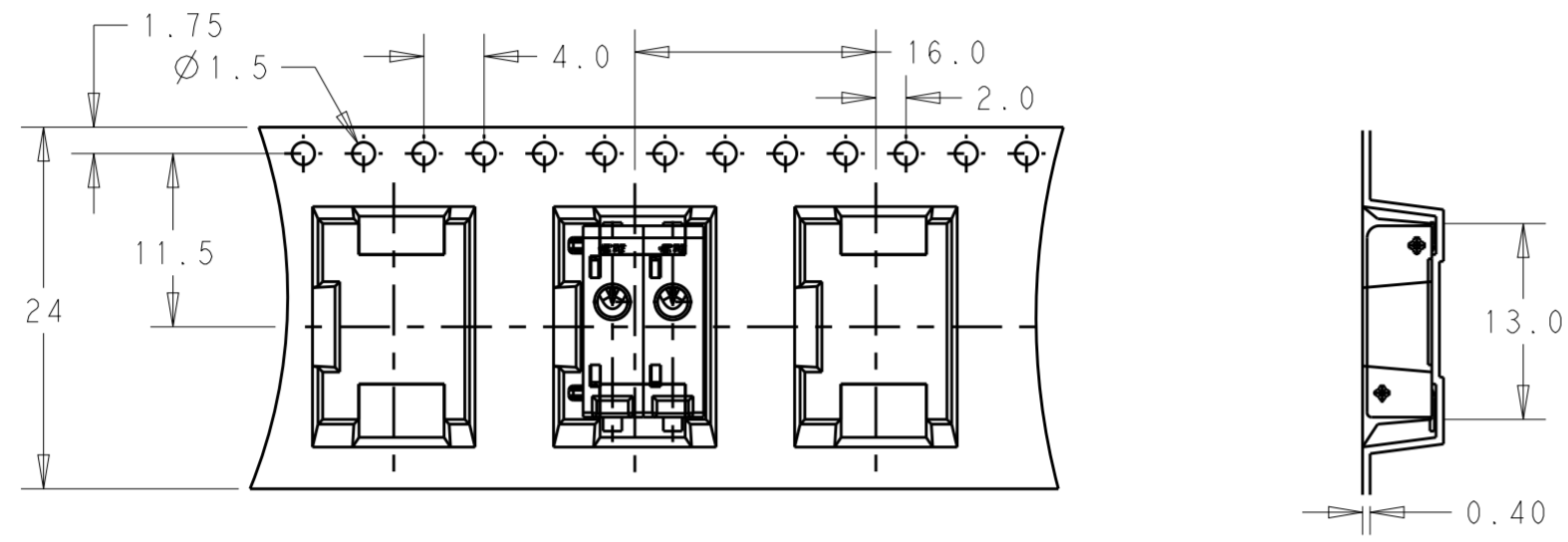


COLOR ARRANGEMENT DESCRIPTION

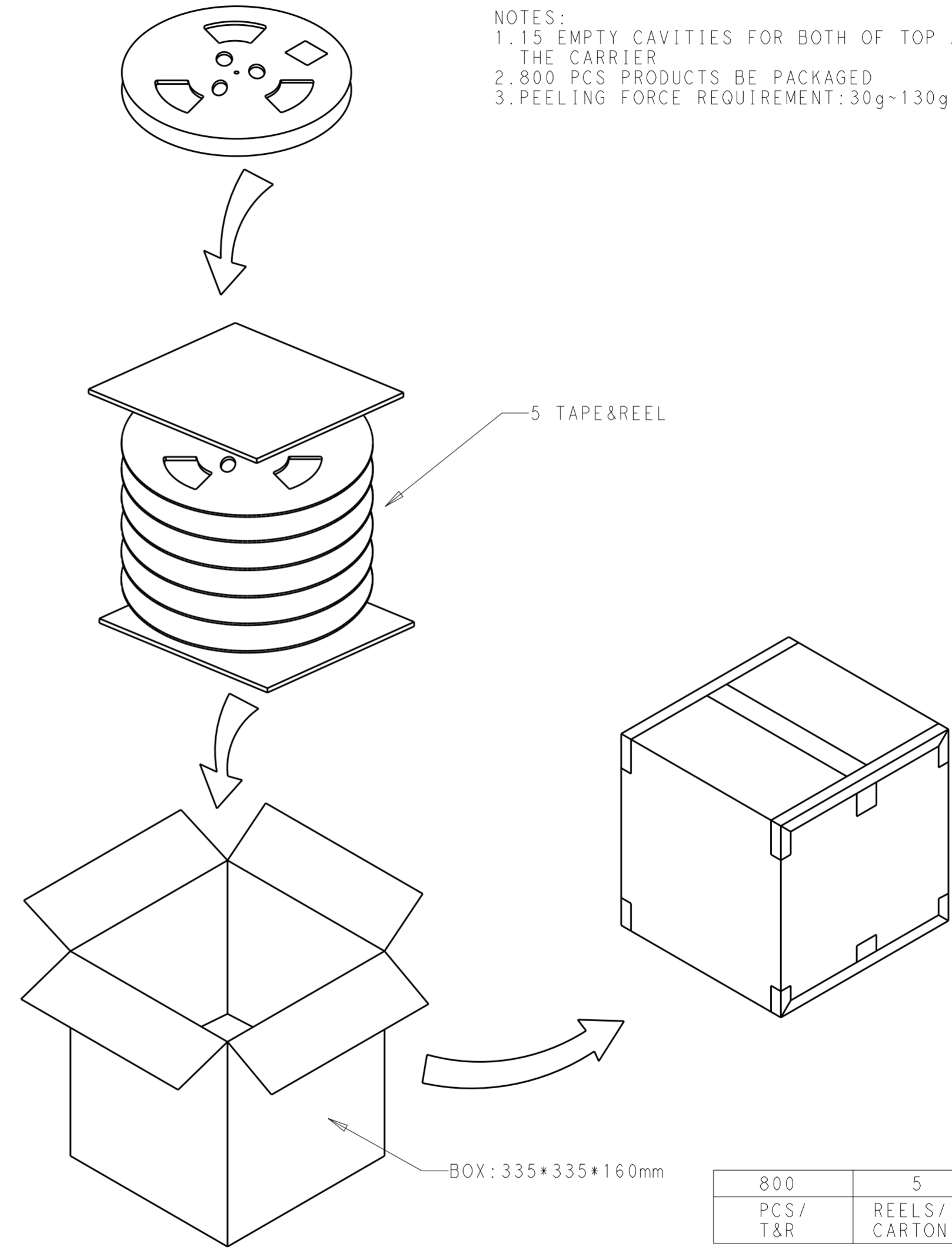
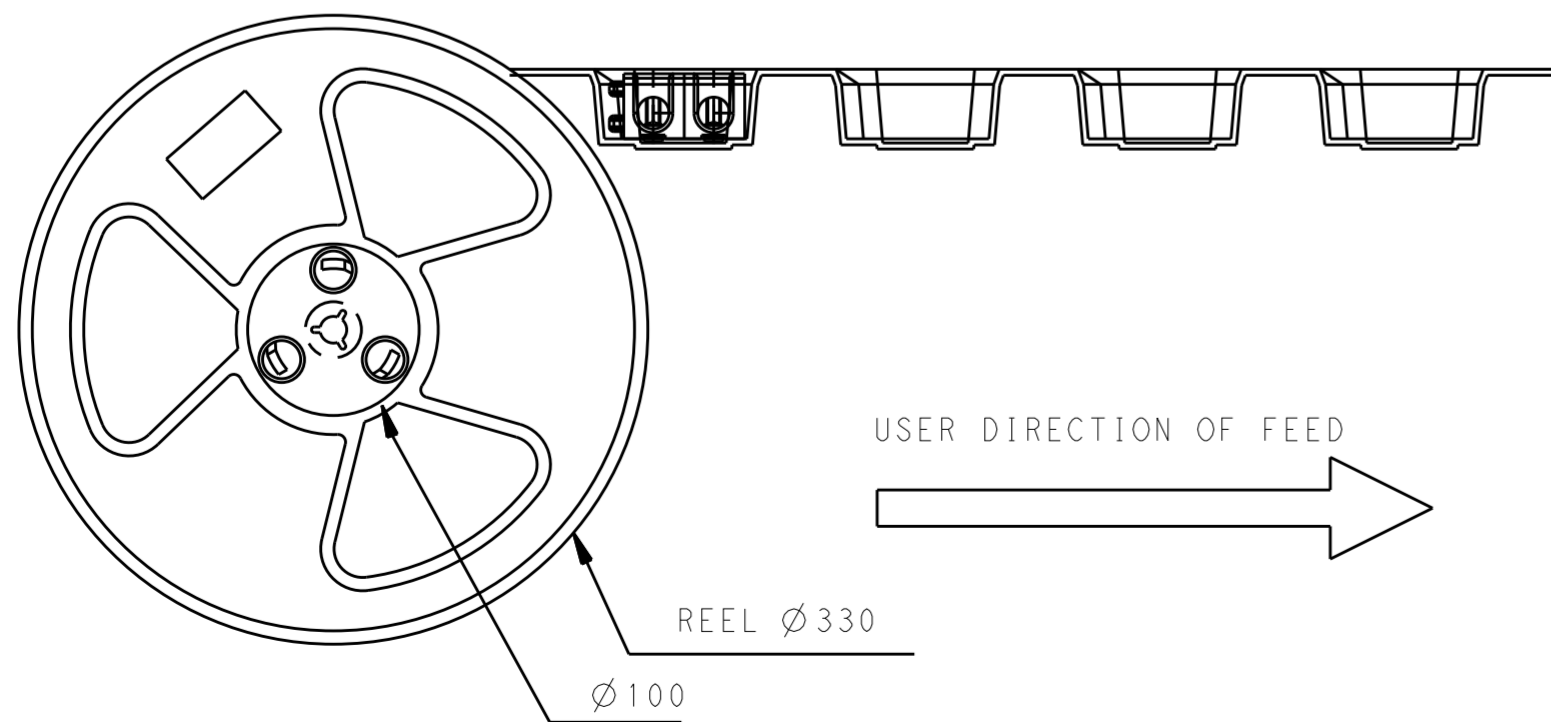
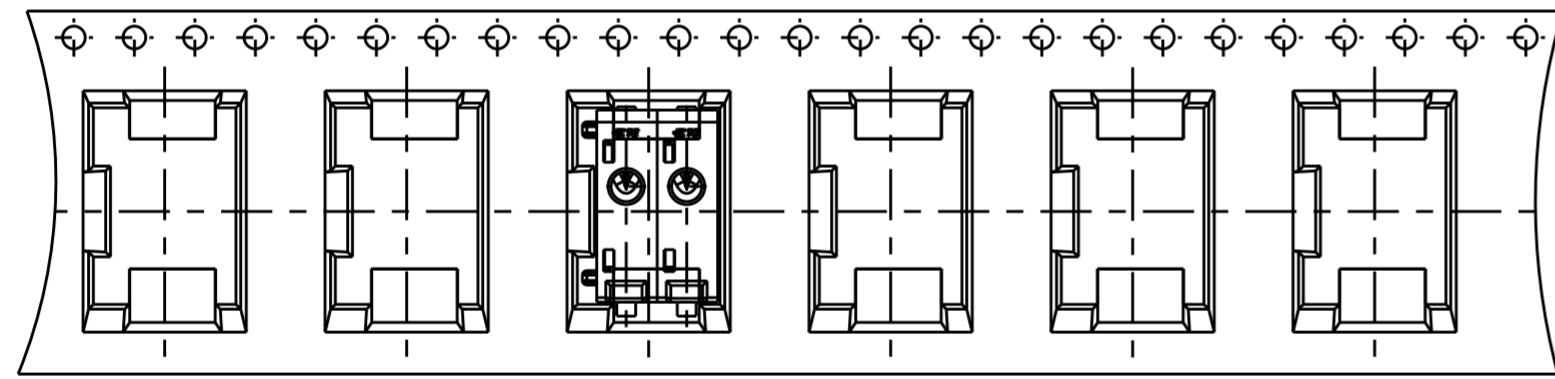
THIS DRAWING IS A CONTROLLED DOCUMENT.		DWN 28 JUL 2017 GEORGE FU	TE Connectivity NAME CONNECTOR ASSEMBLY RELEASABLE POKE-IN -	
DIMENSIONS:		CHK 28 JUL 2017 SHI MING		
mm		APVD 28 JUL 2017 XU XIANG		
TOLERANCES UNLESS OTHERWISE SPECIFIED:		PRODUCT SPEC 108-137055		
0 PLC ± 1 PLC ±0.2 2 PLC ±0.13 3 PLC ± 4 PLC ± ANGLES ± FINISH -		APPLICATION SPEC 114-137055	RESTRICTED TO	
MATERIAL		WEIGHT -	SIZE A2	
		CUSTOMER DRAWING	SCALE 10:1 SHEET 3 OF 4 REV B4	

THIS DRAWING IS UNPUBLISHED. RELEASED FOR PUBLICATION 20  
 © COPYRIGHT 20 BY - ALL RIGHTS RESERVED.

REVISIONS				
P	LTR	DESCRIPTION	DATE	APVD



MATERIALS:  
 1. CARRIER--CLEAR PS  
 2. REEL--PS  
 3. COVER TAPE--PE



NOTES:  
 1. 15 EMPTY CAVITIES FOR BOTH OF TOP AND BOTTOM OF THE CARRIER  
 2. 800 PCS PRODUCTS BE PACKAGED  
 3. PEELING FORCE REQUIREMENT: 30g~130g

800	5	4000
PCS/ T&R	REELS/ CARTON	QUANTITY (PCS)

THIS DRAWING IS A CONTROLLED DOCUMENT.		DWN GEORGE FU 28 JUL 2017	TE Connectivity	
DIMENSIONS: mm		CHK SHI MING 28 JUL 2017		
TOLERANCES UNLESS OTHERWISE SPECIFIED:		APVD XU XIANG 28 JUL 2017	NAME CONNECTOR ASSEMBLY RELEASABLE POKE-IN	
0 PLC ±		PRODUCT SPEC 108-137055	SIZE A2	
1 PLC ±0.2		APPLICATION SPEC 114-137055	CAGE CODE -	
2 PLC ±0.13		WEIGHT -	DRAWING NO C-2834006	
3 PLC ±		CUSTOMER DRAWING	RESTRICTED TO -	
4 PLC ±		SCALE 10:1	SHEET 4 OF 4	
ANGLES ±			REV B4	
FINISH -				