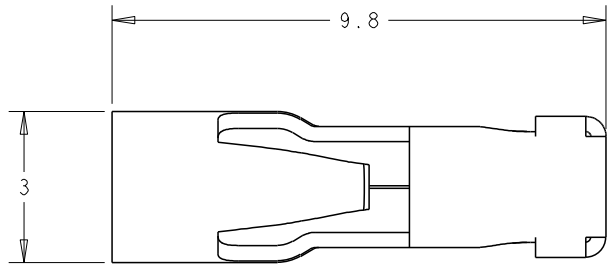


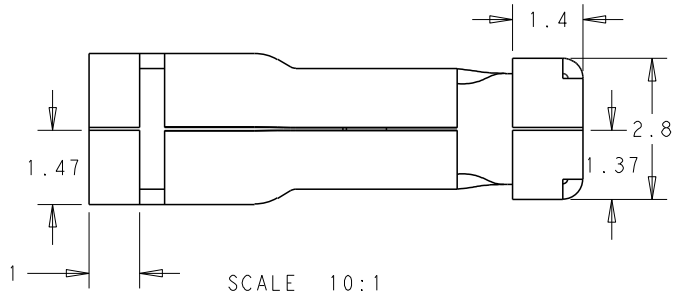
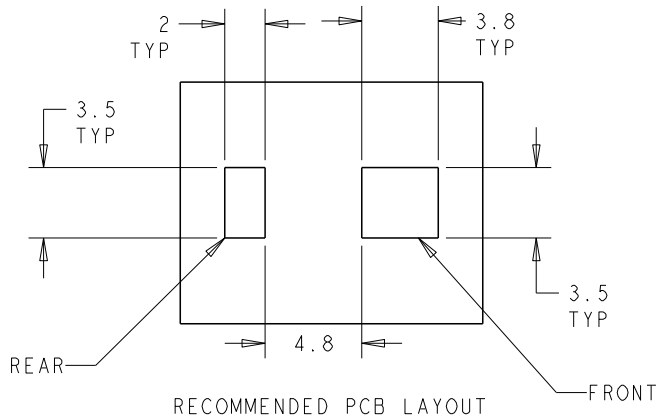
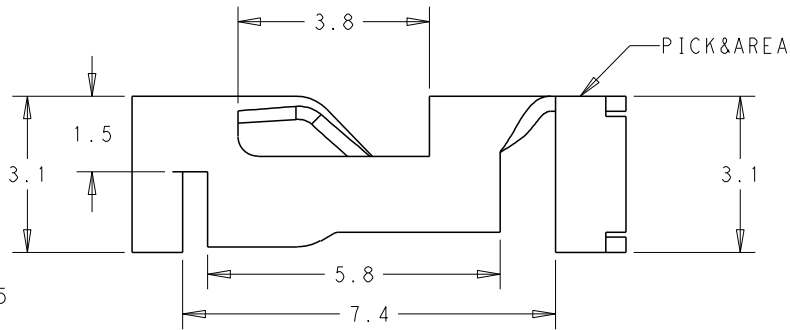
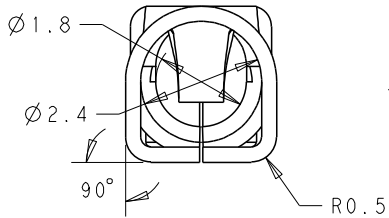
THIS DRAWING IS UNPUBLISHED. RELEASED FOR PUBLICATION 20  
 (C) COPYRIGHT 20 BY - ALL RIGHTS RESERVED.

REVISIONS					
P	LTR	DESCRIPTION	DATE	DWN	APVD
	A	ECR-15-012173, RELEASE TO PRODUCTION	18AUG2015	GF	SM
	A1	ECR-15-012490, UPDATE NOTE DESCRIPTION	24AUG2015	GF	SM



NOTES :

- MATERIALS AND FINISH:  
 - CONTACTS: COPPER ALLOY, FINISH: TIN OVER NICKEL UNDERPLATE
- MUST COMPLY WITH DIRECTIVE 2002/95/EC (ROHS)
- WIRE TYPES AND SIZES ACCEPTED  
 WIRE SIZE: 16AWG SOLID  
 18AWG SOLID & STRANDED (CONDUCTOR NO:16)  
 20AWG SOLID & STRANDED (CONDUCTOR NO:7)  
 MAX INSULATION OD: 2.1mm MAX.  
 STRIP LENGTH: 7.0 +/- 0.3mm
- PACKAGED IN TAPE AND REEL



P/N: 2834012-3

THIS DRAWING IS A CONTROLLED DOCUMENT.		DWN	GEORGE FU 24AUG2015		TE Connectivity
		CHK	SHI MING 24AUG2015		
		APVD	XU XIANG 24AUG2015		
		NAME	SLIM CONTACT		
DIMENSIONS: mm		PRODUCT SPEC		108-137049	
TOLERANCES UNLESS OTHERWISE SPECIFIED:		APPLICATION SPEC		114-137049	
0 PLC ±- 1 PLC ±0.20 2 PLC ±0.13 3 PLC ±- 4 PLC ±- ANGLES ±-		WEIGHT		-	
MATERIAL		FINISH		SIZE A3 CAGE CODE - DRAWING NO C=2834012 RESTRICTED TO -	
				CUSTOMER DRAWING SCALE 10:1 SHEET 1 OF 1 REV A1	