

Features

- High Efficiency (Up to 90%)
- Full Power at Wide Output Current Range (Constant Power)
- Thermal Sensing and Protection for LED Module
- 0-10V/PWM/Timer Dimmable (3 Timer Modes)
- Dim-to-Off with Standby Power ≤ 0.5 W
- Always-on Auxiliary Power: 12Vdc, 200mA (Transient Peak Current up to 400mA)
- Output Lumen Compensation
- Long Lifetime Over 90K Hours at 75°C Case Temperature
- Input Surge Protection: DM 6 kV, CM 10 kV
- All-Around Protection: OVP, SCP, OTP
- IP20 Design and Suitable for Outdoor Applications in Luminaires with IP>54
- SELV Output
- Suitable for Luminaires with Protection Class I and II
- Complies with Zhaga Interface Specification Book 13
- 7 Years Warranty



Description

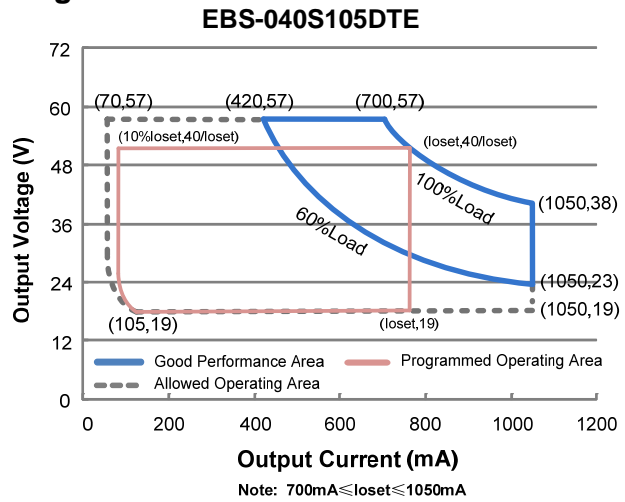
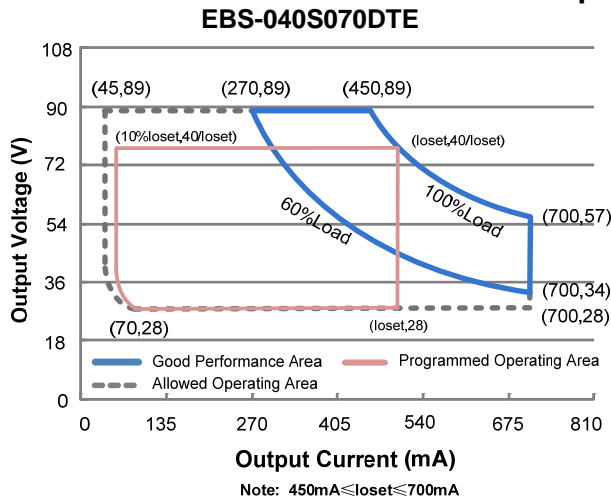
The EBS-040SxxxDTE series is a 40W, constant-current, programmable LED driver that operates from 176-305 Vac input with excellent power factor. Created for many lighting applications including street, tunnel and low bay, it provides a dim-to-off mode with low standby power. The high efficiency of these drivers and better thermal design enable them to run cooler, significantly improving reliability and extending product life. To ensure trouble-free operation, protection is provided against input surge, output over voltage, short circuit, and over temperature of both the driver and the external LED array.

Models

Adjustable Output Current Range	Full-Power Current Range (1)	Default Output Current	Input Voltage Range(2)	Output Voltage Range	Max. Output Power	Typical Efficiency (3)	Power Factor (3)	Model Number (4)
45-700 mA	450-700 mA	700 mA	176~305 Vac 190~250 Vdc	28~89 Vdc	40 W	90.0%	0.96	EBS-040S070DTE
70-1050 mA	700-1050 mA	1050 mA	176~305 Vac 190~250 Vdc	19~57 Vdc	40 W	90.0%	0.96	EBS-040S105DTE

- Notes:** (1) Output current range with constant power at 40W.
 (2) Certified voltage range: 200-240Vac or 190-250Vdc (except CCC and KS)
 (3) Measured at full load and 220Vac input (see below "General Specifications" for details).
 (4) SELV Output.

I-V Operating Area



Input Specifications

Parameter	Min.	Typ.	Max.	Notes
Input Voltage	176 Vac	-	305 Vac	190~250 Vdc
Input Frequency	47 Hz	-	63 Hz	
Leakage Current	-	-	0.70 mA	IEC60598-1; 240Vac/ 60Hz
Input AC Current	-	-	0.30 A	Measured at full load and 220Vac input.
Inrush Current(I ² t)	-	-	0.21 A ² s	At 220Vac input, 25°C Cold Start, Duration= 120 μs, 10%Ipk-10%Ipk. See Inrush Current Waveform for the details.
PF	0.9	-	-	At 200-240Vac, 50-60Hz, 60%-100% Load (24-40W)
THD	-	-	20%	
THD	-	-	10%	At 220-240Vac, 50-60Hz, 70%-100% Load (28-40W)

Output Specifications

Parameter	Min.	Typ.	Max.	Notes
Output Current Tolerance	-5%Ioset	-	5%Ioset	At full load condition
Output Current Setting(Ioset) Range				
EBS-040S070DTE	45 mA	-	700 mA	
EBS-040S105DTE	70 mA	-	1050 mA	
Output Current Setting Range with Constant Power				
EBS-040S070DTE	450 mA	-	700 mA	
EBS-040S105DTE	700 mA	-	1050 mA	
Total Output Current Ripple (pk-pk)	-	5%Iomax	10%Iomax	At full load condition, 20 MHz BW
Output Current Ripple at < 200 Hz (pk-pk)	-	2%Iomax	-	At full load condition. Only this component of ripple is associated with visible flicker.

Output Specifications(Continued)

Parameter	Min.	Typ.	Max.	Notes
Startup Overshoot Current	-	-	10%Iomax	At full load condition
No Load Output Voltage				
EBS-040S070DTE	-	-	119 V	
EBS-040S105DTE	-	-	68 V	
Line Regulation	-	-	±0.5%	Measured at full load
Load Regulation	-	-	±1.5%	
Turn-on Delay Time	-	-	0.5 s	Measured at 220Vac input, 60%-100% Load
Temperature Coefficient of Ioset	-	0.03%/°C	-	Case temperature = 0°C ~Tc max
12V Auxiliary Output Voltage	10.8 V	12 V	13.2 V	
12V Auxiliary Output Source Current	0 mA	-	200 mA	Return terminal is "Return."
12V Auxiliary Output Transient Peak Current	-	-	400 mA	400mA peak for a maximum duration of 300ms in a 2s period during which time the average should not exceed 200mA.

Note: All specifications are typical at 25°C unless otherwise stated.

General Specifications

Parameter	Min.	Typ.	Max.	Notes
Efficiency at 220 Vac input:				
EBS-040S070DTE				Measured at full load and steady-state temperature in 25°C ambient; (Efficiency will be about 2.0% lower if measured immediately after startup.)
Io= 450 mA	88.0%	90.0%	-	
Io= 700 mA	87.5%	89.5%	-	
EBS-040S105DTE				
Io= 700 mA	88.0%	90.0%	-	
Io=1050 mA	87.0%	89.0%	-	
Standby Power	-	-	0.5 W	Measured at 230Vac/50Hz; Dimming off
MTBF	-	340,000 hours	-	Measured at 220Vac input, 80%Load and 25°C ambient temperature (MIL-HDBK-217F)
Lifetime	-	93,000 hours	-	Measured at 220Vac input, 80%Load and 75°C case temperature; See lifetime vs. Tc curve for the details
Operating Case Temperature for Safety Tc_s	-40°C	-	+90°C	
Operating Case Temperature for Warranty Tc_w	-40°C	-	+75°C	Case temperature for 7 years warranty. Please see Inventronics Warranty Statement for complete details. No condensation.
Storage Temperature	-40°C	-	+85°C	Humidity: 5%RH to 85%RH; No condensation.
Dimensions				
Inches (L × W × H)	4.85 x 3.12 x 1.30			
Millimeters (L × W ×H)	123 x 79 x 33			
Net Weight	-	220 g	-	

Note: All specifications are typical at 25°C unless otherwise stated.

Dimming Specifications

Parameter	Min.	Typ.	Max.	Notes	
Absolute Maximum Voltage on the Vdim (+) Pin	-20 V	-	20 V		
Source Current on Vdim (+)Pin	200 uA	300 uA	450 uA	Vdim(+) = 0 V	
Dimming Output Range	EBS-040S070DTE	10%loset	-	loset	450 mA ≤ loset ≤ 700 mA
	EBS-040S105DTE				700 mA ≤ loset ≤ 1050 mA
Dimming Output Range	EBS-040S070DTE	45 mA	-	loset	45 mA ≤ loset < 450 mA
	EBS-040S105DTE	70 mA			70 mA ≤ loset < 700 mA
Recommended Dimming Input Range	0 V	-	10 V	Default 0-10V dimming mode.	
Dim off Voltage	0.35 V	0.5 V	0.65 V		
Dim on Voltage	0.55 V	0.7 V	0.85 V		
Hysteresis	-	0.2 V	-		
PWM_in High Level	3 V	-	10 V	Dimming mode set to PWM in PC interface.	
PWM_in Low Level	-0.3 V	-	0.6 V		
PWM_in Frequency Range	200 Hz	-	3 KHz		
PWM_in Duty Cycle	1%	-	99%		
PWM Dimming off (Positive Logic)	2%	5%	8%		
PWM Dimming on (Positive Logic)	4%	7%	10%		
PWM Dimming off (Negative Logic)	92%	95%	98%		
PWM Dimming on (Negative Logic)	90%	93%	96%		
Hysteresis	-	2%	-		

Note: All specifications are typical at 25 °C unless stated otherwise.

Safety & EMC Compliance

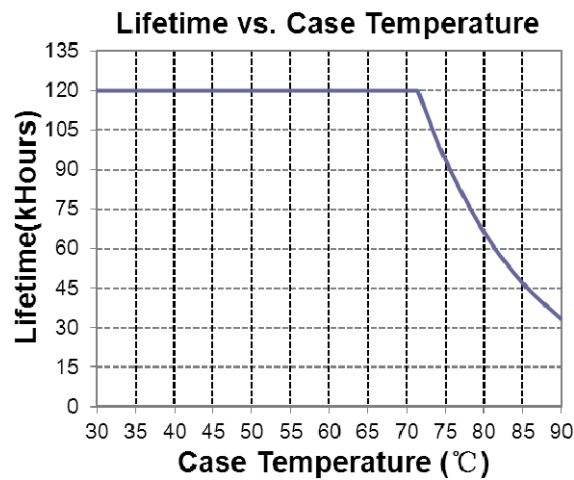
Safety Category	Standard
ENEC & CE	EN 61347-1, EN61347-2-13
KS	KS C 7655
Performance	Standard
ENEC	EN 62384
EMI Standards	Notes
EN 55015 ⁽¹⁾	Conducted emission Test &Radiated emission Test
EN 61000-3-2	Harmonic current emissions Class C
EN 61000-3-3	Voltage Fluctuations & Flicker

Safety & EMC Compliance(Continued)

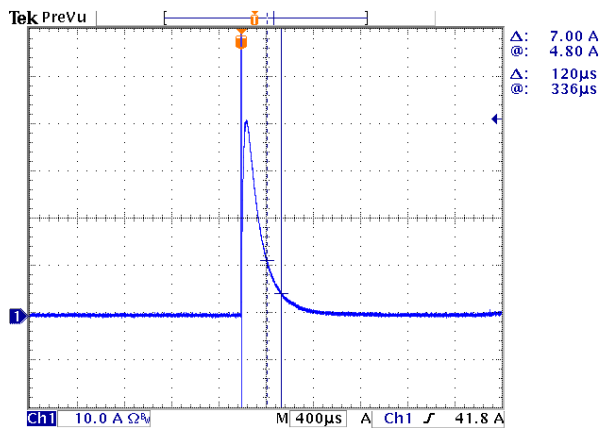
EMS Standards	Notes
EN 61000-4-2	Electrostatic Discharge(ESD): 8 kV air discharge, 4 kV contact discharge
EN 61000-4-3	Radio-Frequency Electromagnetic Field Susceptibility Test-RS
EN 61000-4-4	Electrical Fast Transient/Burst-EFT
EN 61000-4-5	Surge Immunity Test: AC Power Line: Differential Mode 6 kV, Common Mode 8 kV
EN 61000-4-6	Conducted Radio Frequency Disturbances Test-CS
EN 61000-4-8	Power Frequency Magnetic Field Test
EN 61000-4-11	Voltage Dips
EN 61547	Surge Immunity Test: AC Power Line: Differential Mode 6 kV, Common Mode 10 kV
	Electromagnetic Immunity Requirements Applies to Lighting Equipment

Notes: (1) This LED driver meets the EMI specifications above, but EMI performance of a luminaire that contains it depends also on the other devices connected to the driver and on the fixture itself.

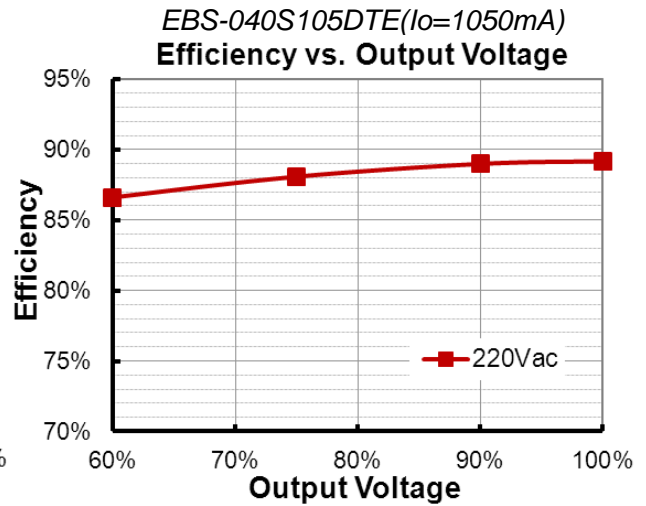
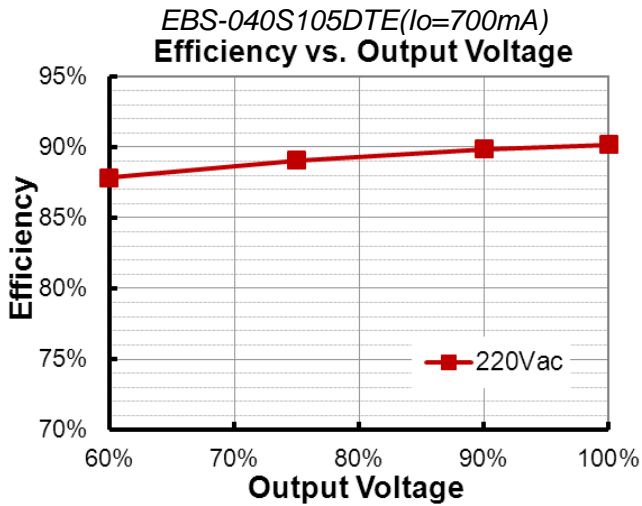
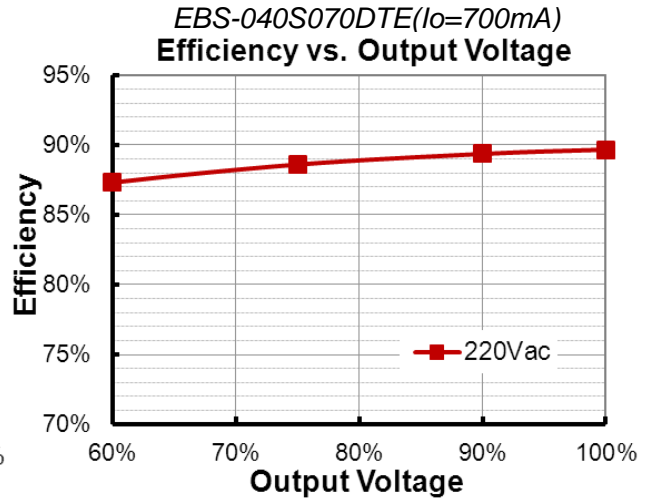
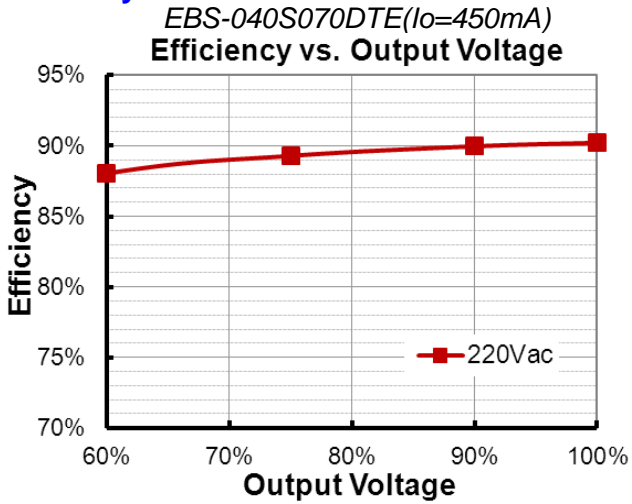
Lifetime vs. Case Temperature



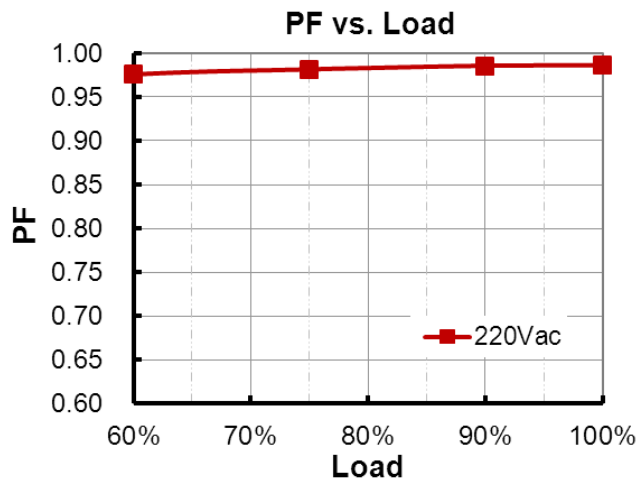
Inrush Current Waveform



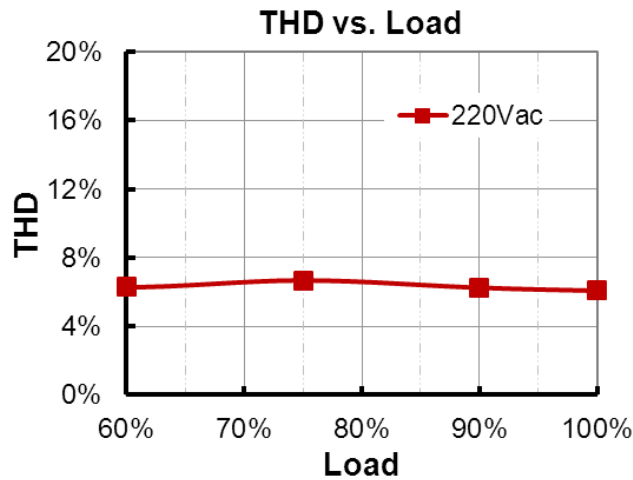
Efficiency vs. Load



Power Factor



Total Harmonic Distortion



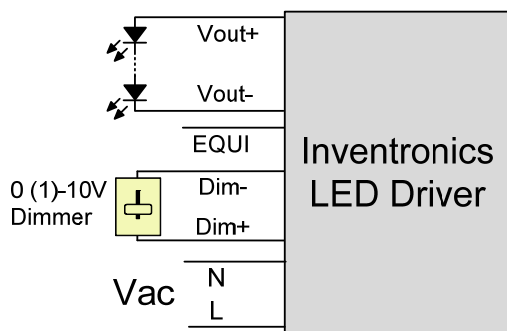
Protection Functions

Parameter		Min.	Typ.	Max.	Notes
External Thermal Protection NTC	R1	-	7.81 kOhm	-	When R_NTC falls below R1, External Thermal Protection is triggered, reducing output current until R2 is reached.
	R2	-	4.16 kOhm	-	When R_NTC is less than R2, output current is reduced to the programmed "Protection Current Floor."
	Protection Current Floor	10%I _{oSet} I _{omin}	60%I _{oSet} 60%I _{oSet}	100%I _{oSet} 100%I _{oSet}	10%I _{oSet} > I _{omin} (default setting is 60%) 10%I _{oSet} ≤ I _{omin} (default setting is 60%)
Over Temperature Protection		Decreases output current, returning to normal after over temperature is removed.			
Short Circuit Protection		Auto Recovery. No damage will occur when any output is short circuited. The output shall return to normal when the fault condition is removed.			
Over Voltage Protection		Limits output voltage at no load and in case the normal voltage limit fails.			

Dimming

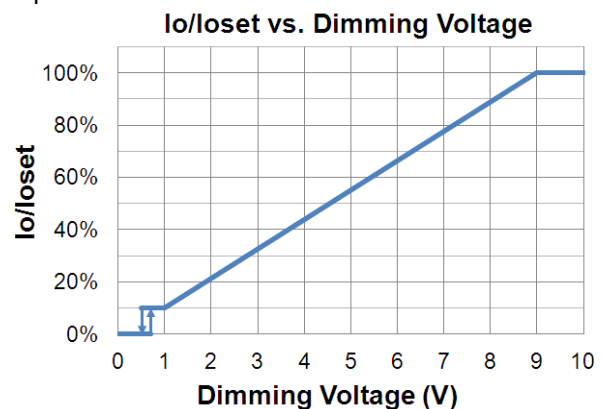
● 0-10V Dimming

The recommended implementation of the dimming control is provided below.



Implementation 1: DC Input

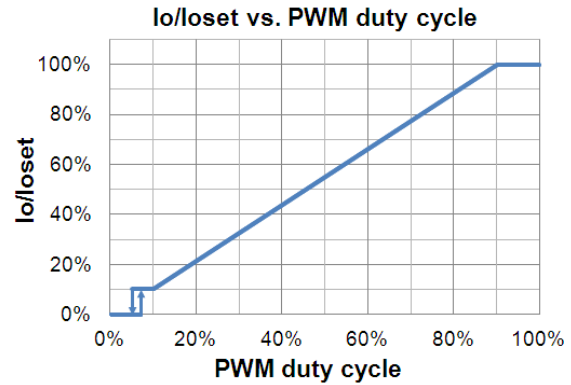
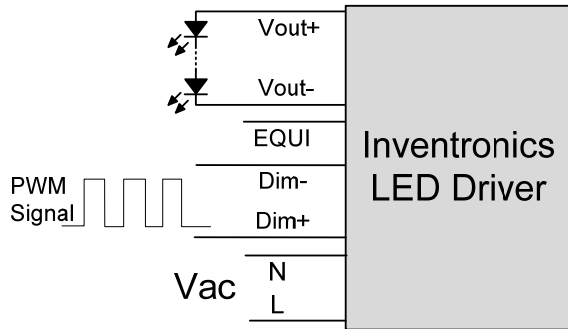
7 / 13



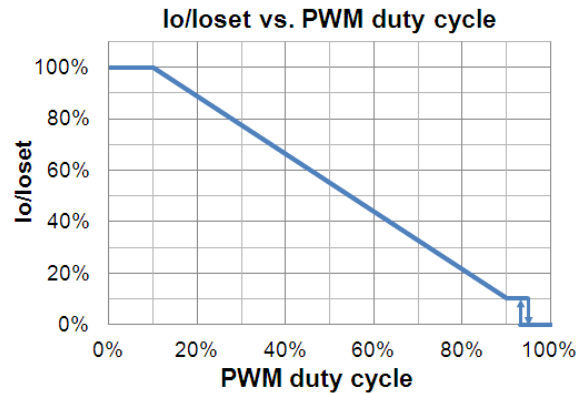
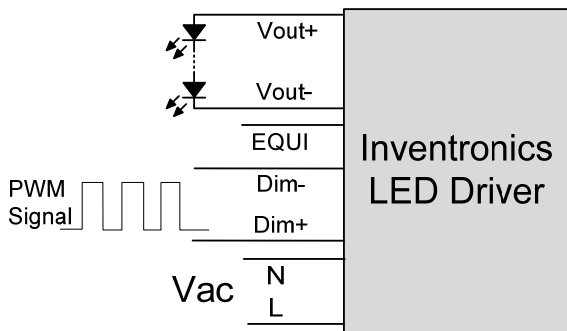
Specifications are subject to changes without notice.

Note: The dimmer can also be replaced by an active 0-10V voltage source signal or passive components like resistors and zener.

● **PWM Dimming**



Implementation 2: Positive logic



Implementation 3: Negative logic

● **Timing Dimming**

Time dimming control includes 3 kinds of modes, they are Self Adapting-Midnight, Self Adapting-Percentage and Traditional Timer.

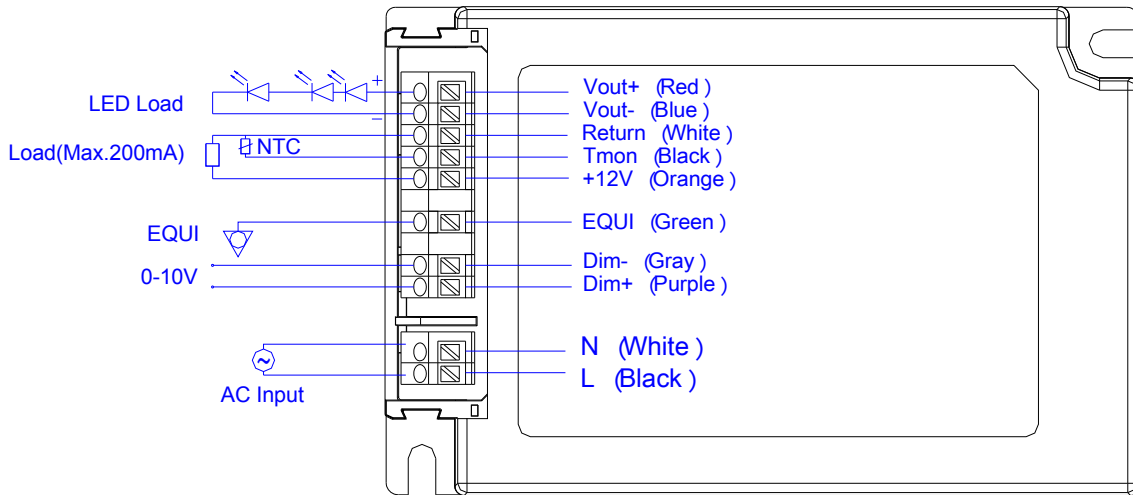
- **Self Adapting-Midnight:** Automatically adjusts the dimming curve based on the on-time of past two days (if difference <15 minutes), assuming that the center point of the dimming curve is midnight local time.
- **Self Adapting-Percentage:** Automatically adjusts the on-time of each step by a constant percentage = (actual on-time for the past 2 days if difference <15 min) / (programmed on-time from the dimming curve).
- **Traditional Timer:** Follows the programmed timing curve after power on with no changes.

● **Output Lumen Compensation**

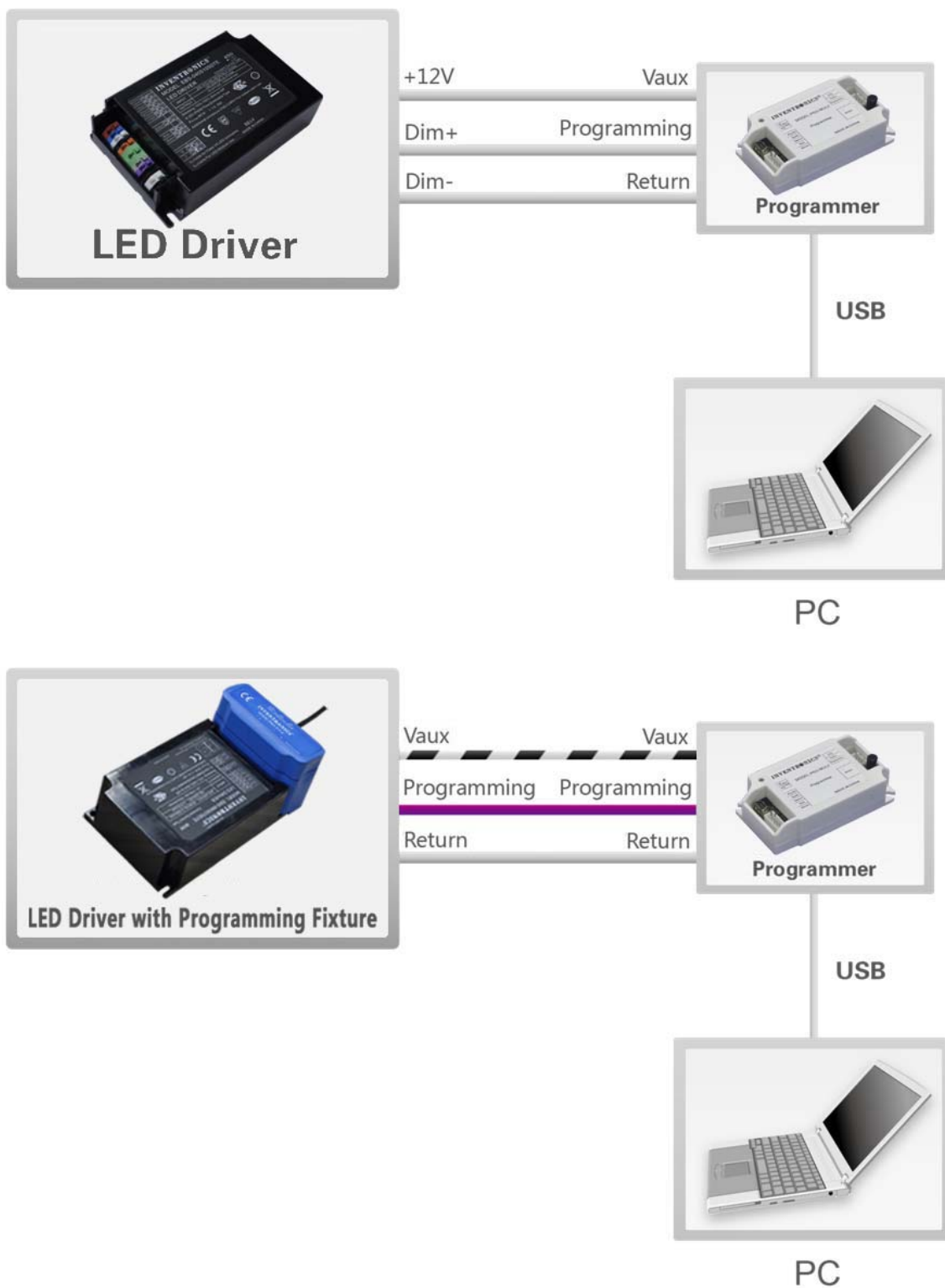
Output Lumen Compensation (OLC) may be used to maintain constant light output over the life of the LEDs by driving them at a reduced current when new, then gradually increasing the drive current over time to counteract LED lumen degradation.

Wire Connection Diagram

Parameter		Min.	Typ.	Max.	Notes
L, N, EQUI	Wire Cross-section	0.4 mm ²	-	1.5 mm ²	Push-in at 45° angle, solid and stranded wire
		20 AWG	-	16 AWG	
	Strip Length	8.5 mm	-	9.5 mm	
Vout+, Vout-, Return, Tmon, +12V, Dim-, Dim+	Wire Cross-section	0.2 mm ²	-	1.5 mm ²	Push-in at 45° angle, solid and stranded wire
		22 AWG	-	16 AWG	
	Strip Length	8.5 mm	-	9.5 mm	



Programming Connection Diagram

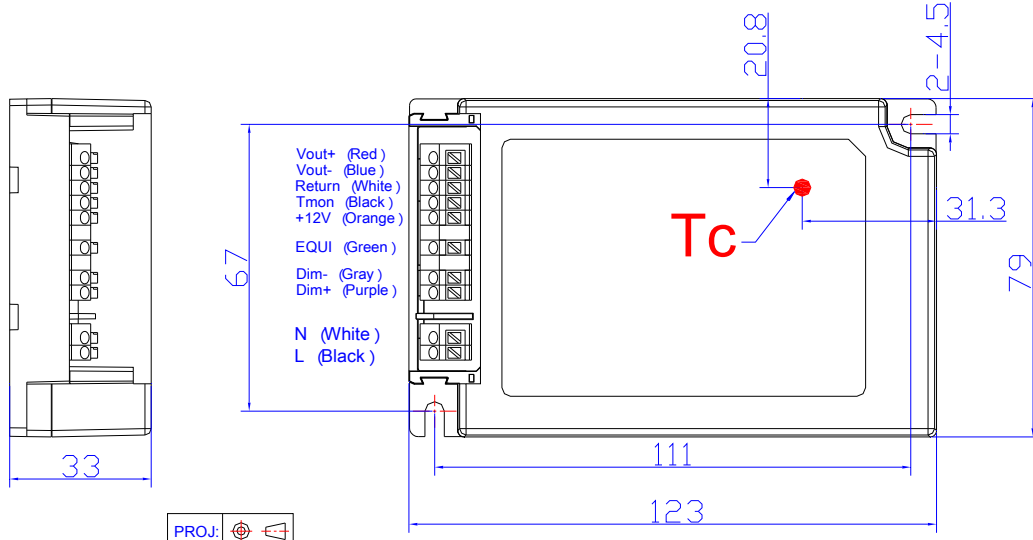


Note: The driver does not need to be powered on during the programming process.

- Please refer to [PRG-MUL2](#) (Programmer) and [PRG-FIX-E](#) (Programming Fixture) datasheet for details.

Mechanical Outline

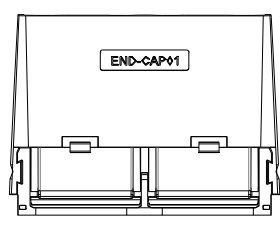
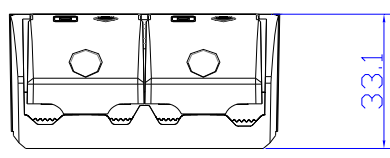
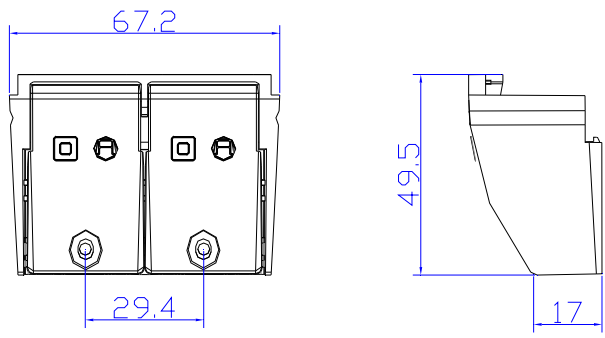
EBS-040SxxxDTE



Unspecified tolerance: ±1

Optional Cable Clamp

END-CAP01



PROJ: [Symbol]

Unspecified tolerance: ±1

Note: The cable clamp is to be installed with EBS-040SxxxDTE drivers for independent application. Please refer to [END-CAP01](#) datasheet for details.

RoHS Compliance

Our products comply with the European Directive 2011/65/EC, calling for the elimination of lead and other hazardous substances from electronic products.

Revision History

Change Date	Rev.	Description of Change		
		Item	From	To
2016-09-09	A	Datasheets Release	/	/
2016-09-27	B	Efficiency vs. Load	/	Updated
2016-11-10	C	Protection Functions	/	Updated
		Programming Connection Diagram	/	Updated
2017-10-24	D	Features	7 Years Warranty	Added
		Features	Always-on Auxiliary Power	Added
		Input Specifications	PF/THD	Updated
		Output Specifications	Temperature Coefficient of Isolet	Updated
		Output Specifications	12V Auxiliary Output Transient Peak Current	Added
		General Specifications	Operating Case Temperature for Warranty Tc_w	Updated
2018-01-26	C	Description	/	Updated
		Operating Case Temperature for Warranty Tc_w	Notes	Updated
		Wire Connection Diagram	/	Updated