

### Features

STRATO switch mode power supply technology is designed to generate one constant voltage output from a wide range AC input. The size and performance of these products make them the ideal choice for LED lighting applications.

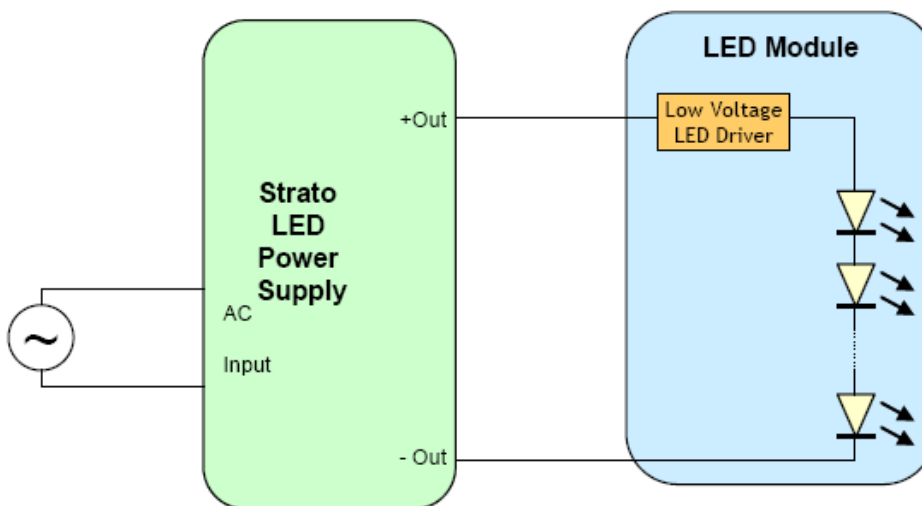
- Wide Range Input: 120, 240, or 277 VAC
- Constant Voltage Output
- High Efficiency ~82%
- Compact Design
- Convection Cooled
- Long Life
- Wide Temperature Range
- ROHS Compliant



### Applications and Benefits

STRATO power supplies are designed for powering low voltage LED modules in residential and commercial lighting applications.

The product's extremely **small form factor** and **high efficiency** makes it suitable for integration into most light fixtures and standard electrical junction boxes.



### Input and Output Specification

Input Voltage: 120 / 240 / 277 VAC nominal  
47-63 Hz Frequency Range

Efficiency: 82% typical \*

Isolation: Meets UL60950-1 Reinforced/double  
insulation  
NEC (Class 2)  
EN60598-1 Class II

Input Power Factor: >0.9 \*

Input Harmonics: Meets EN61000-3-2, -3 \*

\*@ Vin Nominal and >80% load

Output Voltage: 12V, 24V or 48 VDC  
See Model Table for details

Output Current: 0.75 to 1.75 Amps  
See Model Table for details

Output Voltage  
Regulation: +/- 4% of nominal output voltage

Output Ripple: <10% (P-P) at maximum load

Output Over-voltage, Over-Current and Short-Circuit  
Protection (hiccup), and over-temperature protection with  
auto recovery

#### EMI and EMC:

Conducted and Radiated EMI: EN55015 Class B, FCC 47CFR Part 15 Class B

Susceptibility: EN61000-4-2, -3, -4, -5, -6, and -11  
ANSI c62.41-1991 Category A1, 2.5kV Ringwave

#### Eu and RoW

ROAL Electronics S.p.A  
Via Jesina 56/A  
60022 – Castellidardo (AN) - Italy  
Tel:+39 071 721461  
Fax:+ 39 071 72146 480

[www.roallivingenergy.com](http://www.roallivingenergy.com)

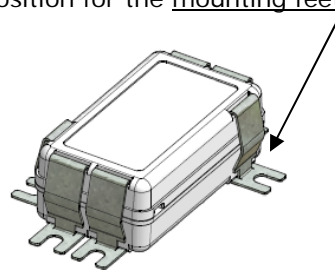
#### North America

ROAL Electronics, USA, Inc.  
701, Main St. Suite 405  
Stroudsburg, PA18360  
Phone: + 1 570 421 5750  
Fax: +1 570 421 5687

### Mechanical Details

Packaging Options:	Partially Encapsulated with ABS plastic body enclosure
I/O Connections:	Flying leads, 18AWG leads, 152mm long, 105C Rated, Stranded, Stripped by approximately 9.5mm and tinned
Mounting Details:	Universal Mounting Clips, and 6 mounting locations per package allow installer to choose the most suitable position for the <u>mounting feet</u> .
Ingress Protection:	IP64 Rated

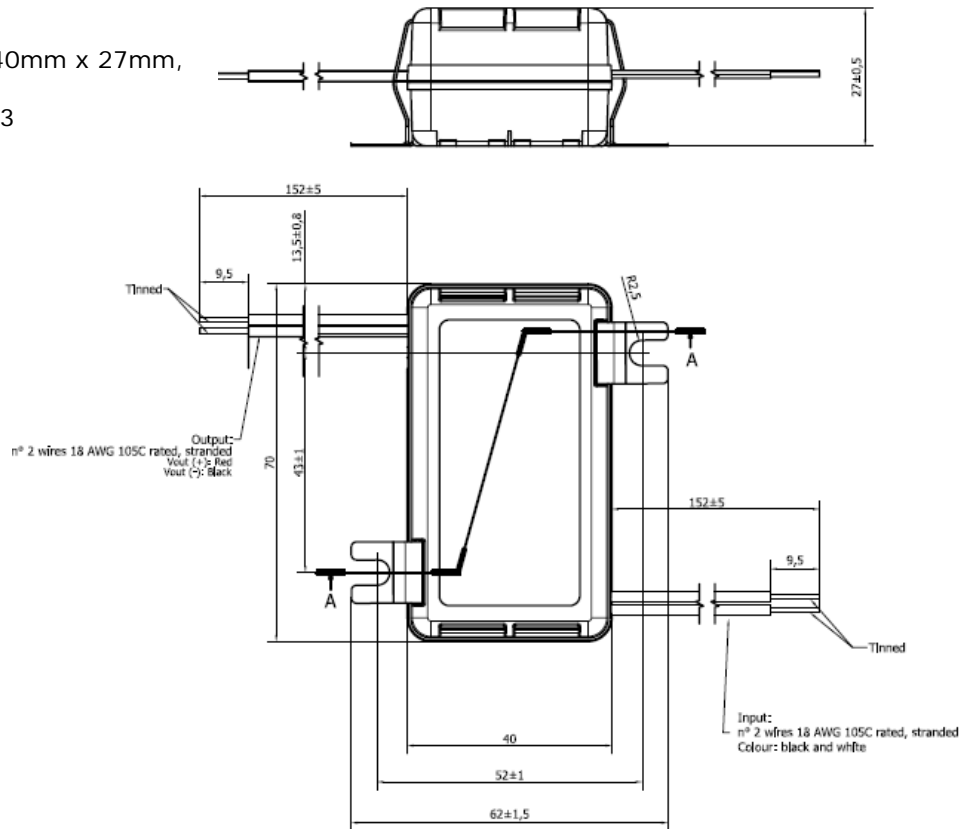
*Universal Mount  
A Patent Pending Design*



### Outline Drawings

#### Package: RSLP035

Max Dimensions: 70mm x 40mm x 27mm,  
2.76" x 1.57" x 1.06"  
Volume : 75.6 cm<sup>3</sup>, 4.59 in<sup>3</sup>  
Mass : 142 grams, 5 Oz.



#### Eu and RoW

ROAL Electronics S.p.A  
Via Jesina 56/A  
60022 – Castelfidardo (AN) - Italy  
Tel: +39 071 721461  
Fax: +39 071 72146 480

[www.roallivingenergy.com](http://www.roallivingenergy.com)

#### North America

ROAL Electronics, USA, Inc.  
701, Main St. Suite 405  
Stroudsburg, PA18360  
Phone: +1 570 421 5750  
Fax: +1 570 421 5687

### Environmental

Operating Temperature:	-30 to +90C case temperature without derating
Operating Relative Humidity:	5% to 95%, non condensing
Storage Temperature:	-40°C to +85°C
Surface Temperature:	Exposed surfaces <90°C under all operating conditions
Cooling:	Convection cooled

### Safety Agency Approvals

UL8750 recognized Class 2 Output.

12V and 24V models are cURus and 48V model is UR only.

CB Certified according to IEC 61347-1, IEC 61347-2-13.

ENEC Mark according to EN 62384 and CE Mark for EU according to EN 61347-1, EN 61347-2-13.

### Model Table

Model number		Pout max	Vout (nom)	Iout Max
<i>Package</i>	<i>Dash #</i>	<i>watts</i>	<i>vdc</i>	<i>A</i>
RSLP035	-12	21	12	1.75
RSLP035	-24	36	24	1.5
RSLP035	-48	36	48	0.75

Roal Electronics, S.p.A. may change product specifications and accordingly the information presented in this document. Customers are responsible for their products and applications using Roal Electronics, S.p.A. products. Roal Electronics, S.p.A. assumes no liability from the use of its products outside of specifications. No license is granted to any intellectual property rights by this document. ROAL ELECTRONICS, S.P.A. DISCLAIMS ALL REPRESENTATIONS AND WARRANTIES OF ANY KIND, EXPRESS OR IMPLIED, INCLUDING, BUT NOT LIMITED TO, IMPLIED WARRANTIES OF NON-INFRINGEMENT, MERCHANTABILITY AND FITNESS FOR A PARTICULAR PURPOSE.

#### Eu and RoW

ROAL Electronics S.p.A  
Via Jesina 56/A  
60022 – Castelfidardo (AN) - Italy  
Tel:+39 071 721461  
Fax:+ 39 071 72146 480

[www.roallivingenergy.com](http://www.roallivingenergy.com)

#### North America

ROAL Electronics, USA, Inc.  
701, Main St. Suite 405  
Stroudsburg, PA18360  
Phone: + 1 570 421 5750  
Fax: +1 570 421 5687