

### Features

TROPO switch mode power supply technology is designed to generate one constant current output from an AC input, and work with industry standard lighting controls in dimming applications.

- 120VAC and 230VAC Inputs Available
- Output current availability 0.35A-1.5A. Consult Factory for customized programming
- Operates with Industry Standard Dimmers
- Compact Encapsulated Assembly
- Active Power Factor Correction
- Output Over-Voltage, Over-Current and Short-Circuit Protection and Auto Recovery
- High Temperature Operation (up to 90°C case)
- UL Approved, ENEC Approved, CE Mark
- Long Life
- ROHS Compliant



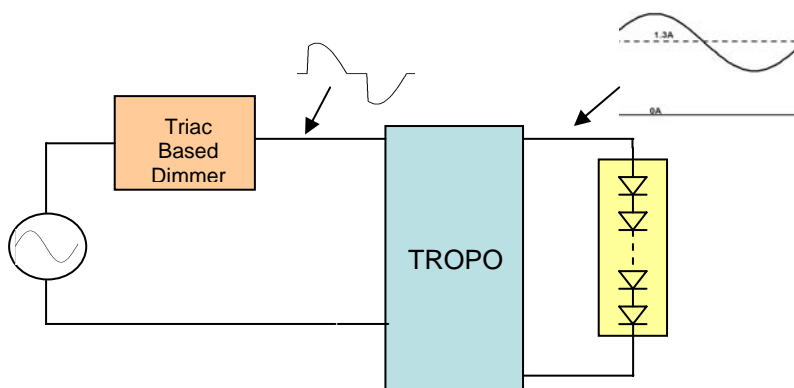
TROPO is designed for powering LED luminaries with standard lighting controls. The modules operate with:

- Standard Light Switches
- Triac based Incandescent Dimmers (Standard phase – leading edge)
- Electronic Low Voltage Dimmers (Reverse Phase – trailing edge)

TROPO is ideal for installations requiring dimmable Class 2 outputs such as:

- Commercial Lighting
- Residential Lighting

The following diagram depicts a typical installation utilizing the TROPO:



- Dimming range down to less than 10% nominal output current
- Output current does not terminate during off time of dimmer
- Output Current factory settable up to 1.5A
- Multiple Drivers / LED Assemblies may be connected to a single dimmer
- Facilitates compliance with Energy Star ratings for LED luminaires



### Input and Output Specification

Input Voltage: 120/ 230 VAC Options:  
Model 1: 90 - 135 VAC  
Model 2: 176 - 265 VAC  
47-63 Hz Frequency Range

Input Current: < 0.3A

Efficiency: 80% Typical @ >120VAC, Full load

Isolation: Meets the UL60950-1  
Reinforced / double  
Insulation  
NEC (Class 2)  
EN60598-1 Class II

Input Power Factor: >0.9  
(PF is >0.8 for 230VAC Models  
with output power <10W)

Input Harmonics: Meets EN61000-3-2, 3

Output Voltage: 8 – 48 VDC (See model table for details)

Output Current: 0.35 to 1.5A (See model table for details)

Ripple Current: <40% (P-P) of maximum Output Current  
with no dimming

Dimming: Output dimming is possible via industry standard  
dimmers \*. (leading and trailing edge)

Output Accuracy: +/- 5% of set point

Output Regulation: +/- 5% of max rating

Output Over-Voltage, Over-Current and Short-Circuit  
Protection (hiccup), Over-Temperature and Auto Recovery

Output Control: Output Dims without any flicker. Total  
dimming range is as follows:

Conduction Angle / output: 180 degrees/ 100% max  
30 degrees / 10% min

\* Refer to Roal Trope Application Note #1, Line Voltage Dimming of Trope drivers, for further information.

**Performance Requirements:** Meets the requirements of IEC 62384: control gear for LED modules

#### EMI and EMC:

Conducted and Radiated EMI: EN55015 Class B, FCC Class47CFR Part 15 Class B

Susceptibility: EN61000-4-2, -3, -4, -5, -6 and -11

ANSI c62.41-1991 Category A1, 2.5kV Ringwave

#### Eu and RoW

ROAL Electronics S.p.A  
Via Jesina 56/A  
60022 – Castelfidardo (AN) - Italy  
Tel:+39 071 721461  
Fax:+ 39 071 72146 480

[www.roallivingenergy.com](http://www.roallivingenergy.com)

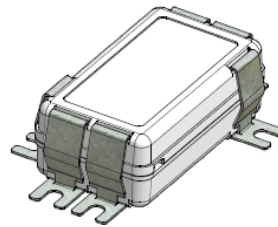
#### North America

ROAL Electronics USA, Inc.  
701 Main St., Suite 405  
Stroudsburg, PA 18360  
Phone: + 1 570 421 5750  
Fax: +1 570 421 5687  
DS1\_Trope Plastic\_Rev06 - Page 2/5

### Mechanical Details

Packaging Options:	Partially encapsulated with ABS plastic body enclosure
I/O Connections:	Flying leads, 18AWG, 152mm long, 105C Rated, Stranded, Stripped by approximately 9.5mm and tinned
Mounting Details:	Universal Mounting Clips and 6 mounting locations per package allow installer to choose the most suitable position for the <u>mounting feet</u>
Ingress Protection:	IP20 Rated

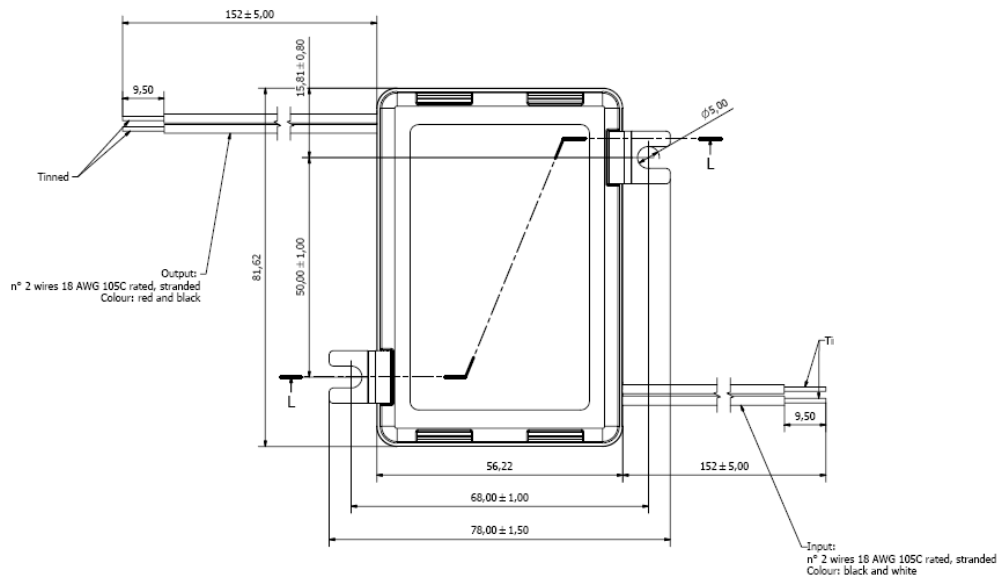
Universal Mount  
A Patent Pending Design



### Outline Drawing

Max Dimensions: 82mm x 56mm x 29mm, 3.21" x 2.21" x 1.13"  
Mass: 145 grams, 5.1 Oz.

Volume: 133 cm<sup>3</sup>, 8.0 in<sup>3</sup>



#### Eu and RoW

ROAL Electronics S.p.A  
Via Jesina 56/A  
60022 – Castelfidardo (AN) - Italy  
Tel: +39 071 721461  
Fax: +39 071 72146 480

[www.roallivingenergy.com](http://www.roallivingenergy.com)

#### North America

ROAL Electronics USA, Inc.  
701 Main St., Suite 405  
Stroudsburg, PA 18360  
Phone: +1 570 421 5750  
Fax: +1 570 421 5687  
DS1\_Tropo Plastic\_Rev06 - Page 3/5

### Environmental

Operating Temperature:	-30°C to +90°C case temp without derating
Operating Relative Humidity:	5% to 95%, non condensing
Storage Temperature:	-40°C to +85°C
Surface Temperature:	Exposed surfaces <90°C under all operating conditions
Cooling:	Convection cooled

### Safety Agency Approvals

UL60950-1 Recognized. LPS Output	UL8750 compliant
EN61347-2-13 electronic control gear for LED Modules	ENEC Mark and CE Mark for EU

Notes Regarding European (ENEC) approvals:

1. All models with  $V_{out} < 25VDC$  are SELV equivalent per EN61347-2-13.
2. All models with  $V_{out} > 25VDC$  are considered "Isolated Control Gear" per EN61347-2-13

#### Eu and RoW

ROAL Electronics S.p.A  
Via Jesina 56/A  
60022 – Castelfidardo (AN) - Italy  
Tel:+39 071 721461  
Fax:+ 39 071 72146 480

[www.roallivingenergy.com](http://www.roallivingenergy.com)

#### North America

ROAL Electronics USA, Inc.  
701 Main St., Suite 405  
Stroudsburg, PA 18360  
Phone: + 1 570 421 5750  
Fax: +1 570 421 5687  
DS1\_Tropo Plastic\_Rev06 - Page 4/5

### Model Table

Model Number	Pout Max (watts)	Vin Range (vac)	Vout Min* (vdc)	Vout Max* (vdc)	Iout Set (mA)
RLDD015L-350	16.8	90 – 135	24	48	350
RLDD015L-350H	7.4	90 – 135	12	21	350
RLDD015L-350J	11.2	90 – 135	18	32	350
RLDD015L-480	6.5	90 – 135	10	13.5	480
RLDD015L-600	7.2	90 - 135	8	12	600
RLDD015L-700	16.8	90 – 135	16	24	700
RLDD015L-800	9.6	90 - 135	8	12	800
RLDD015L-900	14.4	90 – 135	10	16	900
RLDD015L-900L	10.8	90 – 135	8	12	900
RLDD015L-1000	16	90 – 135	10	16	1000
RLDD015L-1200	15.84	90 – 135	10	13.2	1200
RLDD015L-1250	15	90 - 135	8	12	1250
RLDD015L-1400**	16.1	90 – 135	8	11.5	1400
RLDD015L-1500	15	90 - 135	5	10	1500
RLDD015H-350	16.8	176 - 265	24	48	350
RLDD015H-350H	7.4	176 - 265	12	21	350
RLDD015H-350J	11.2	176 - 265	18	32	350
RLDD015H-480	6.5	176 - 265	10	13.5	480
RLDD015H-600	7.2	176 - 265	8	12	600
RLDD015H-700	16.8	176 - 265	16	24	700
RLDD015H-800	9.6	176 - 265	8	12	800
RLDD015H-900	14.4	176 – 265	10	16	900
RLDD015H-900L	10.8	176 - 265	8	12	900
RLDD015H-1000	16	176 - 265	10	16	1000
RLDD015H-1200	15.84	176 - 265	10	13.2	1200
RLDD015H-1250	15	176 - 265	8	12	1250
RLDD015H-1400**	16.1	176 – 265	8	11.5	1400
RLDD015H-1500	15	176 - 265	5	10	1500

**Some models are built to order. Please consult the factory to check availability.**

\* Total LED forward voltage must be within these ratings under all conditions including dimming. Roal Tropro Application Note 2 provides additional technical information.

\*\* 80°C maximum case rating

Roal Electronics, S.p.A. may change product specifications and accordingly the information presented in this document. Customers are responsible for their products and applications using Roal Electronics, S.p.A. products. Roal Electronics, S.p.A. assumes no liability from the use of its products outside of specifications. No license is granted to any intellectual property rights by this document. ROAL ELECTRONICS, S.P.A. DISCLAIMS ALL REPRESENTATIONS AND WARRANTIES OF ANY KIND, EXPRESS OR IMPLIED, INCLUDING, BUT NOT LIMITED TO, IMPLIED WARRANTIES OF NONINFRINGEMENT, MERCHANTABILITY AND FITNESS FOR A PARTICULAR PURPOSE.

#### Eu and RoW

ROAL Electronics S.p.A  
Via Jesina 56/A  
60022 – Castelfidardo (AN) - Italy  
Tel:+39 071 721461  
Fax:+ 39 071 72146 480

[www.roallivingenergy.com](http://www.roallivingenergy.com)

#### North America

ROAL Electronics USA, Inc.  
701 Main St., Suite 405  
Stroudsburg, PA 18360  
Phone: + 1 570 421 5750  
Fax: +1 570 421 5687

DS1\_Tropro Plastic\_Rev06 - Page 5/5