



# PRODUCT DATASHEET

## Konntakt series

last update 21/8/2017

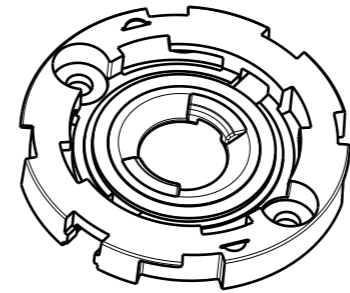
### DETAILS

<b>Product Number</b>	F15255_HEKLA-SOCKET-C
<b>Family</b>	Konntakt
<b>Type</b>	Base part
<b>Color</b>	white
<b>Diameter</b>	44 mm
<b>Height</b>	5,5 mm
<b>Style</b>	round
<b>Optic Material</b>	
<b>Holder Material</b>	PBT
<b>Fastening</b>	screw
<b>Status</b>	production ready
<b>ROHS Compliant</b>	Yes
<b>Date Updated</b>	21/08/2017

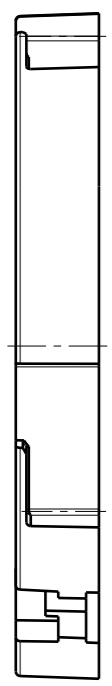
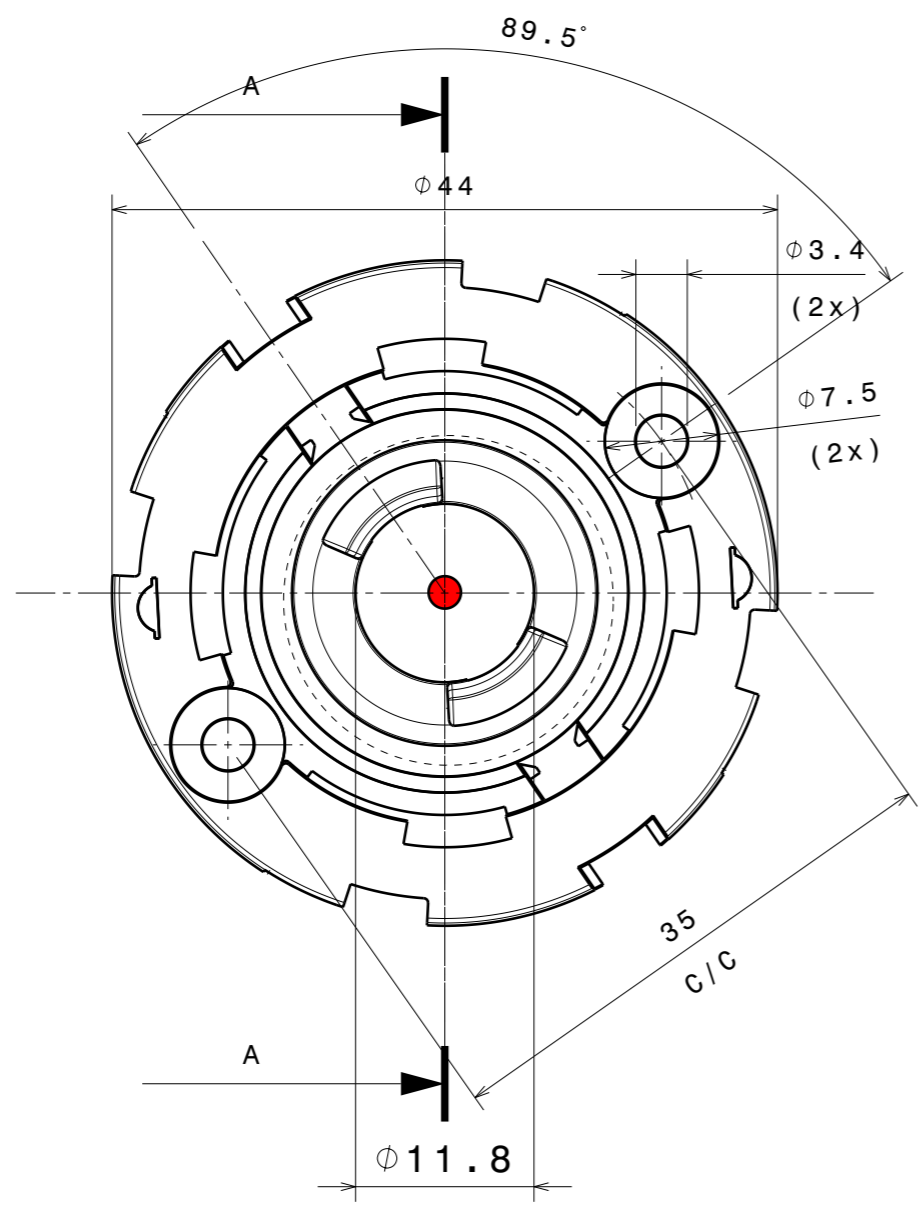
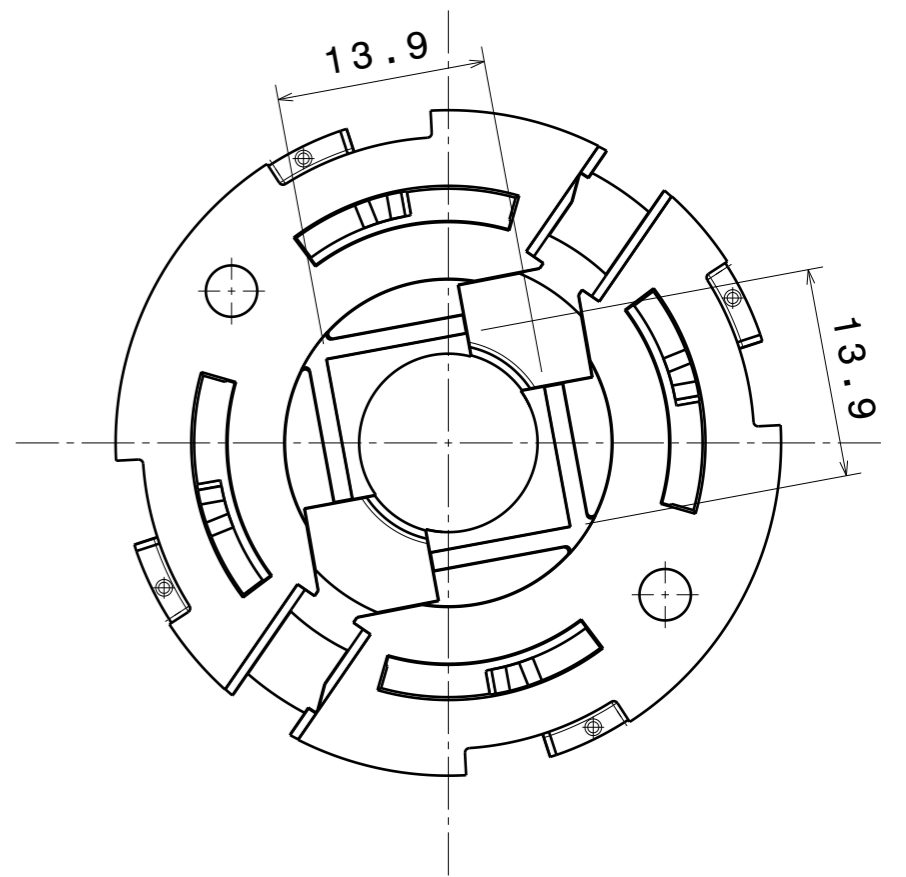
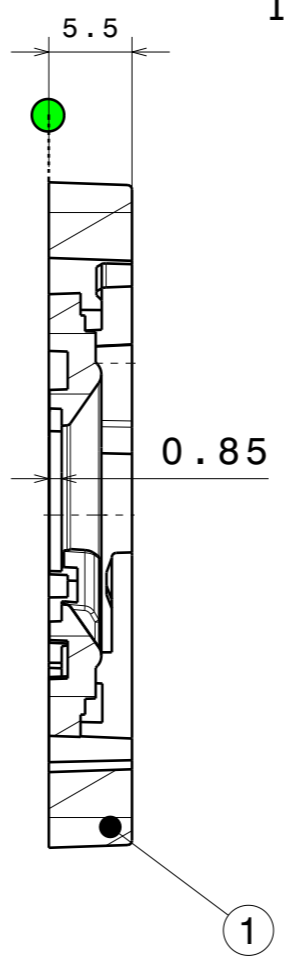


### OPTICAL PROPERTIES

LED	Viewing Angle	Light Beam	Efficiency	cd/lm	Connector
CLL02x/CLU02x (LES10)	NA deg		-	-	-
COB D Series LES 9.8 mm	NA deg		-	sim: 0.000	-



Isometric view (1:1)



**COMPONENTS**

INDEX	PRODUCT	TYPE	MATERIAL	COLOUR/COATING
1	F15255_SOCKET-C	SOCKET	PBT	WHITE

**MECHANICAL DRAWING**

PRODUCT  
KONNTAKT-family



Tolerances if not otherwise shown  
According to DIN ISO 2768-1  
Linear measures:  
Up to 30mm class M, otherwise class C.  
According to DIN ISO 2768-2  
Form and position: class L

FIRST ANGLE PROJECTION:

This drawing is the property of LEDiL Oy. It may not be reproduced, copied or communicated without a written agreement with LEDiL Oy.

SCALE	2:1 (1:1)	SIZE	A3	SHEET	1
-------	-----------	------	----	-------	---

**Notes**

	1	PCB or Heat Sink level
	2	Led location see marking.
	3	Ensure LED fitting, see our web site and/or 3D model for part detail.
	4	See installation details FP15501

**NOTE: The typical divergence will be changed by different color, chip size and chip position tolerance. The typical total divergence is the full angle measured where the luminous intensity is half of the peak value.**

### **GENERAL INFORMATION**

- Product series especially designed & optimized for series of LEDs.
- Special care taken to make light distribution as uniform as possible.

Note! Due to use of high power COB's with this product, special attention to proper thermal design is highly recommended. LEDiL has no liability for direct, indirect or consecutive damages arising from the LEDiL products being used outside of the recommended temperature range.