



PRODUCT DATASHEET

Konntakt series

last update 21/8/2017

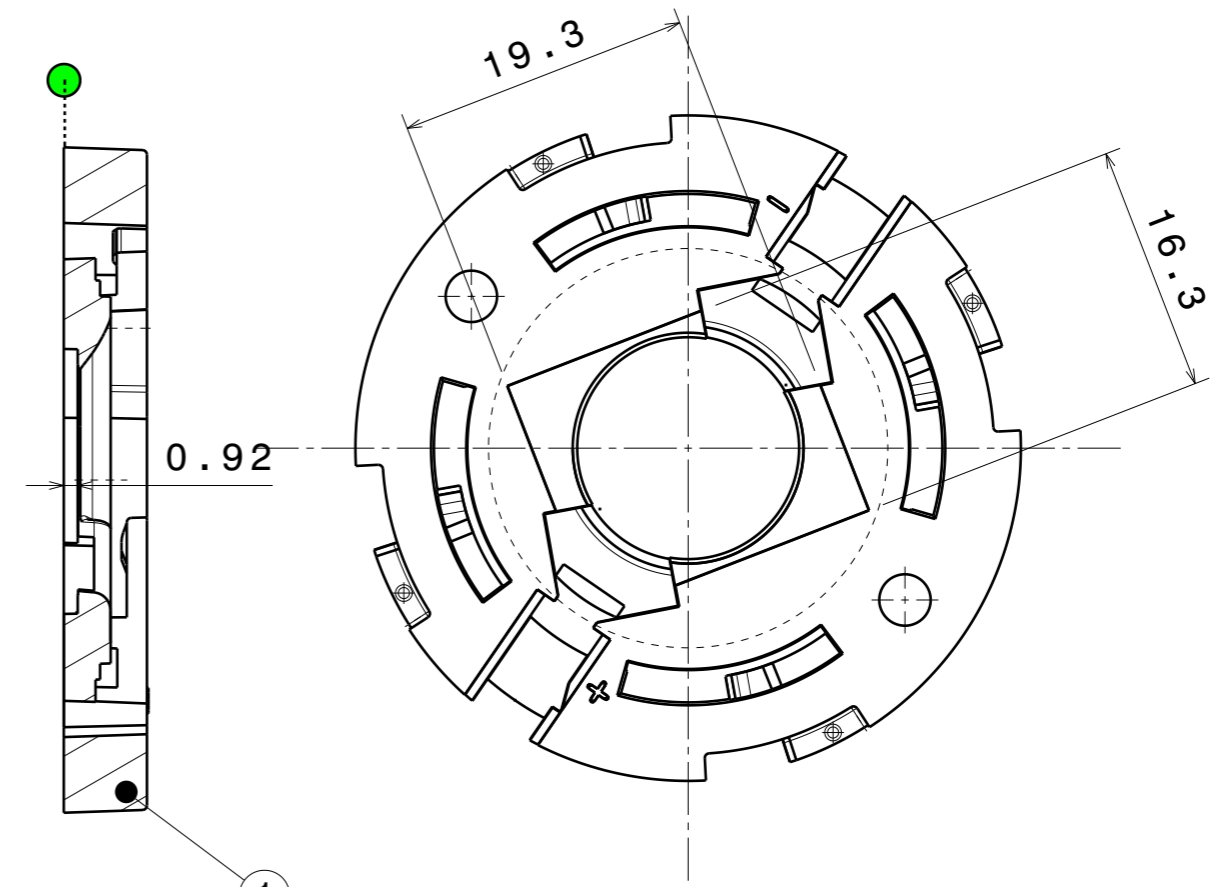
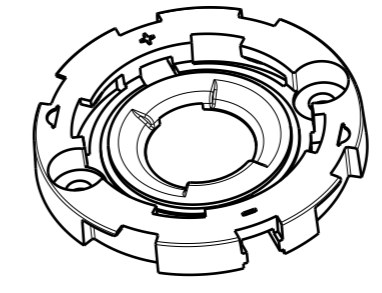
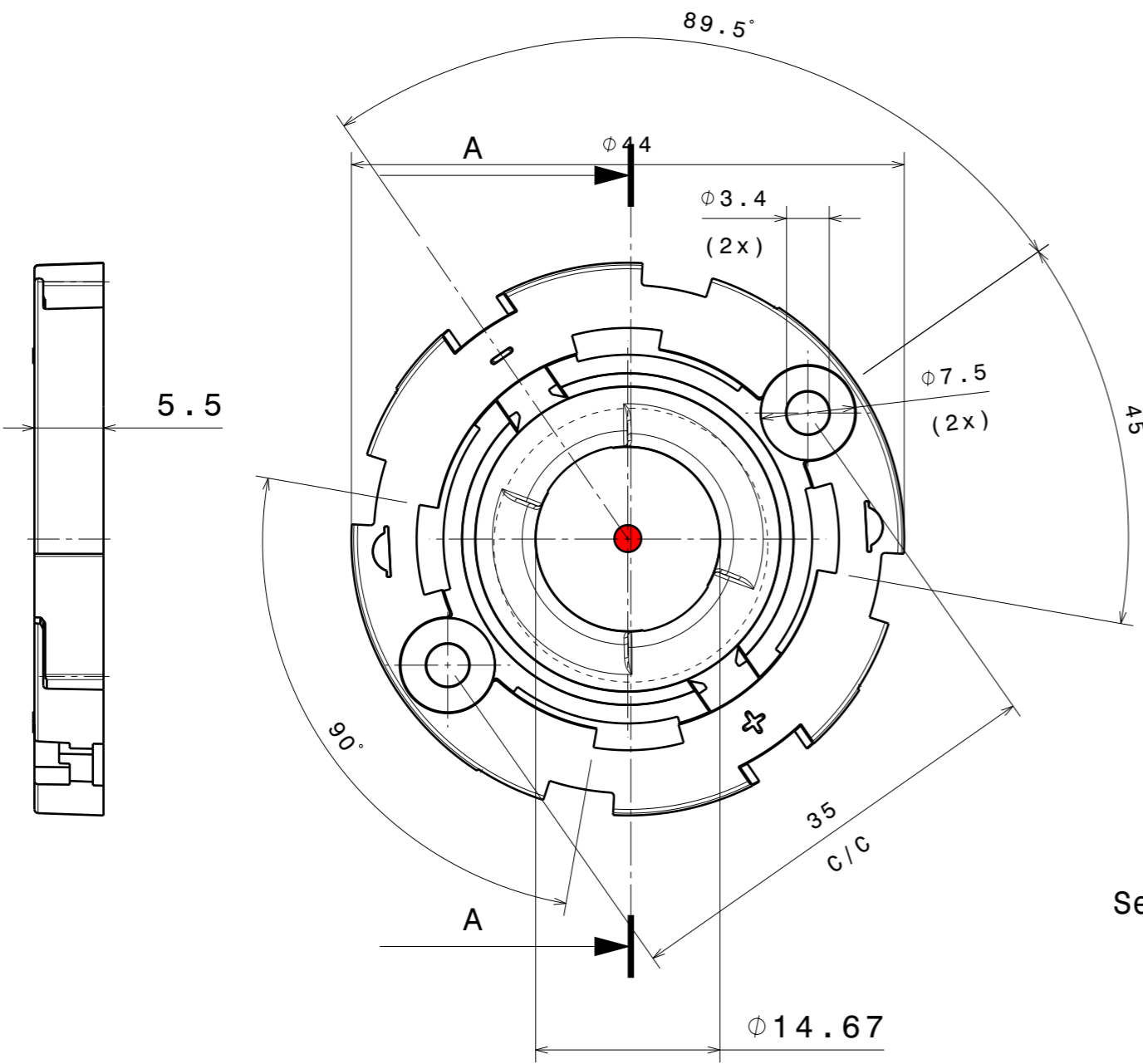
DETAILS

Product Number	F15858_HEKLA-SOCKET-H
Family	Konntakt
Type	Base part
Color	white
Diameter	44 mm
Height	5,5 mm
Style	round
Optic Material	
Holder Material	PBT
Fastening	screw
Status	production ready
ROHS Compliant	Yes
Date Updated	21/08/2017



OPTICAL PROPERTIES

LED	Viewing Angle	Light Beam	Efficiency	cd/lm	Connector
COB L-Type (LES 9)	NA deg		-	sim: 0.000	-
LC040C	NA deg		-	sim: 0.000	-



Section A-A (1:1)

COMPONENTS				
INDEX	PRODUCT	TYPE	MATERIAL	COLOUR/COATING
1	F15858_HEKLA-SOCKET-H	SOCKET	PBT	WHITE

MECHANICAL DRAWING			LEDiL®
PRODUCT KONNTAKT-family			
Tolerances if not otherwise shown According to DIN ISO 2768-1 Linear measures: Up to 30mm class M, otherwise class C. According to DIN ISO 2768-2 Form and position: class L	FIRST ANGLE PROJECTION: 	This drawing is the property of LEDiL Oy. It may not be reproduced, copied or communicated without a written agreement with LEDiL Oy.	
SCALE	2:1 (1:1)	SIZE	A3
		SHEET	1

Notes

	1	PCB or Heat Sink level
	2	Led location see marking.
	3	Ensure LED fitting, see our web site and/or 3D model for part detail.
	4	See installation details FP15948

NOTE: The typical divergence will be changed by different color, chip size and chip position tolerance. The typical total divergence is the full angle measured where the luminous intensity is half of the peak value.

GENERAL INFORMATION

- Product series especially designed & optimized for series of LEDs.
- Special care taken to make light distribution as uniform as possible.

Note! Due to use of high power COB's with this product, special attention to proper thermal design is highly recommended. LEDiL has no liability for direct, indirect or consecutive damages arising from the LEDiL products being used outside of the recommended temperature range.