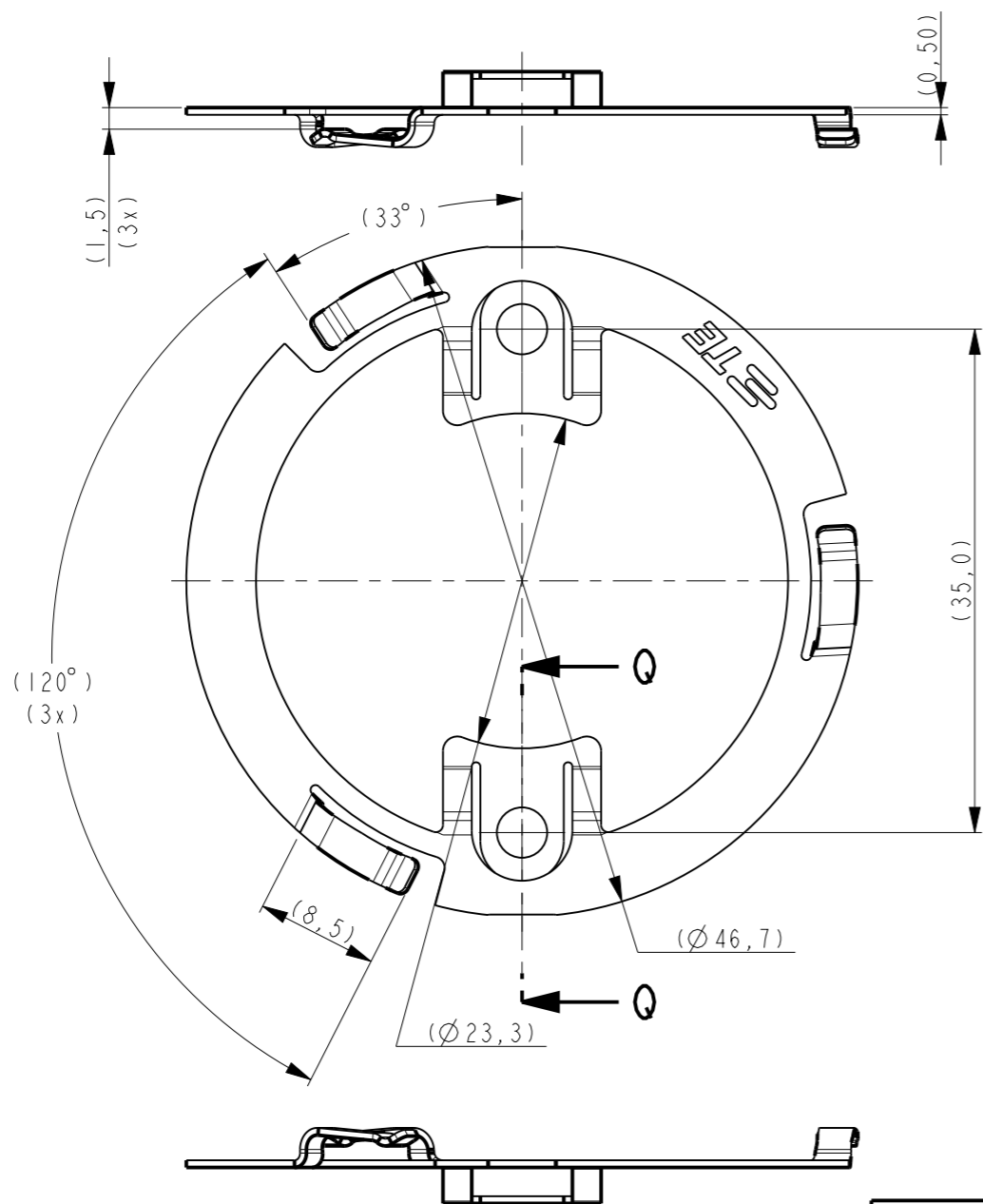


THIS DRAWING IS UNPUBLISHED. RELEASED FOR PUBLICATION  
 © COPYRIGHT - BY TYCO ELECTRONICS CORPORATION. ALL RIGHTS RESERVED.

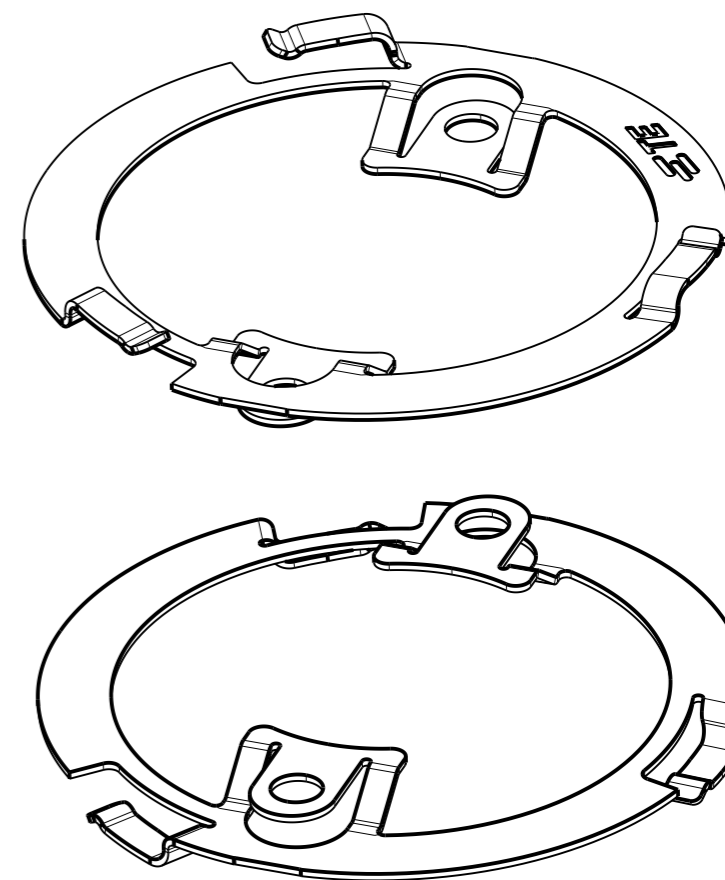
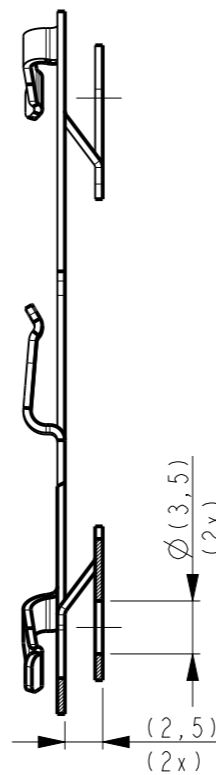
LOC	DIST	REVISIONS					
		P	LTR	DESCRIPTION	DATE	DWN	APVD
H	-		A	RELEASED PER ECR 13-005016	22MAR2013	PP	OL
			A1	REVISED PER ECR-14-000133	22JAN2014	YR	OL

NOTES:

1. MATERIAL: STAINLESS STEEL
2. MUST COMPLY WITH DIRECTIVE 2002/95/EC (ROHS)08 MAX.
3. TO BE USED INLINE WITH z50 ZHAGA COVERS.
4. TO BE USED OPTIC INTERFACE, SEE LAST SHEET.



SECTION Q-Q



PART NUMBER  
2213194-1

THIS DRAWING IS A CONTROLLED DOCUMENT.

DIMENSIONS: mm	TOLERANCES UNLESS OTHERWISE SPECIFIED:
	0 PLC ±-
	1 PLC ±-
	2 PLC ±-
	3 PLC ±-
	4 PLC ±-
	ANGLES ±-
MATERIAL -	FINISH -

DWN	02NOV2012
P. POORTER	
CHK	06NOV2012
O. LEIJNSE	
APVD	06NOV2012
O. LEIJNSE	
PRODUCT SPEC	-
APPLICATION SPEC	-
WEIGHT	-
CUSTOMER DRAWING	

**PRELIMINARY** TE Connectivity

NAME: LUMAWISE LED HOLDER OPTIC CLIP Z50, TYPE I

SIZE	CAGE CODE	DRAWING NO	RESTRICTED TO
A3	00779	C-2213194	-

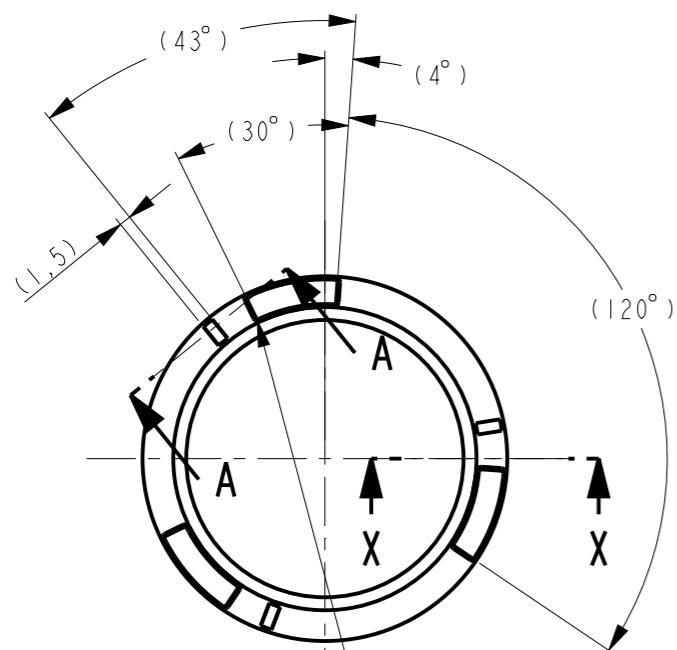
SCALE 2:1 SHEET 1 OF 2 REV A1

THIS DRAWING IS UNPUBLISHED. RELEASED FOR PUBLICATION  
 © COPYRIGHT - BY TYCO ELECTRONICS CORPORATION. ALL RIGHTS RESERVED.

LOC	DIST	REVISIONS					
H	-	P	LTR	DESCRIPTION	DATE	DWN	APVD
				SEE SHEET 1			

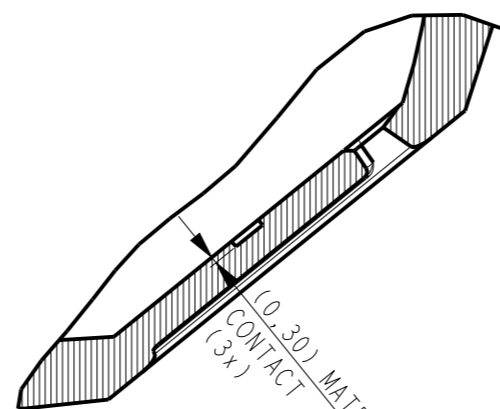
### RECOMMENDED OPTIC INTERFACE:

TOP VIEW

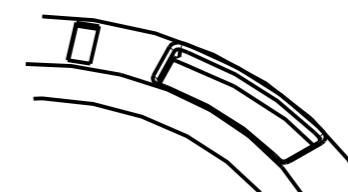


SCALE 1:1

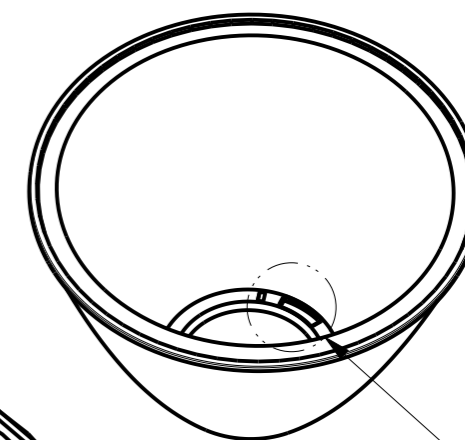
CHAMFER 0.4 MIN. x 45°



SECTION A-A  
SCALE 3:1

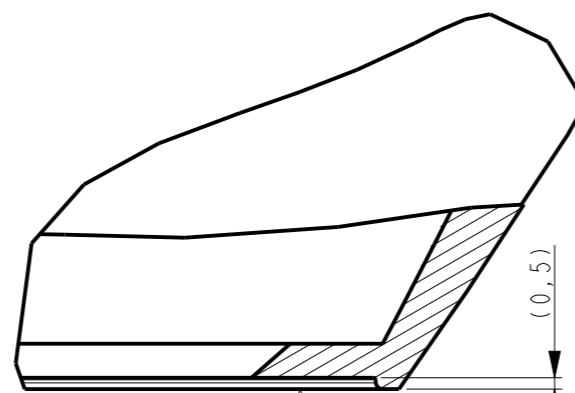
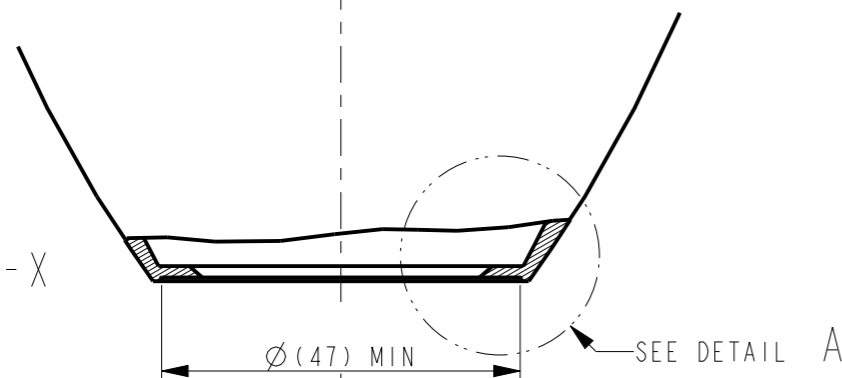


DETAIL B  
SCALE 2:1

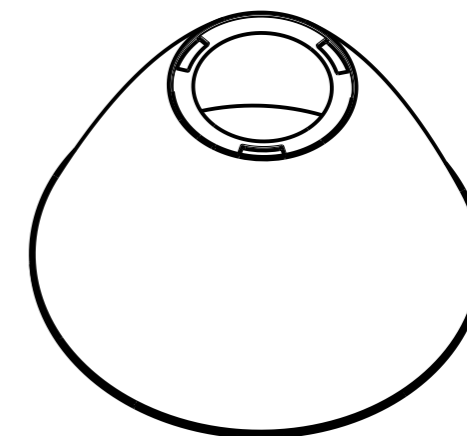


SEE DETAIL B

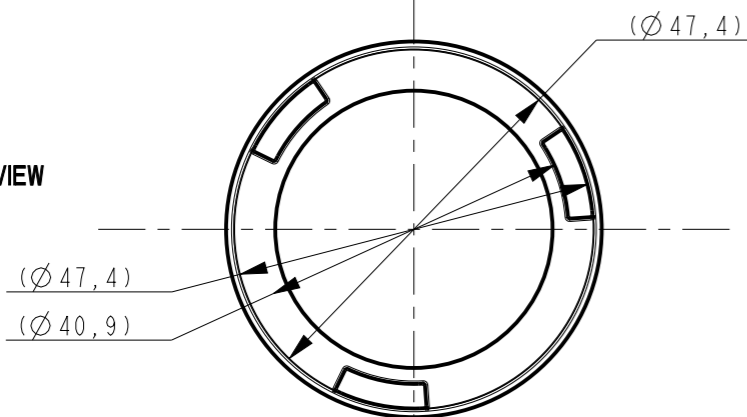
SECTION X-X



DETAIL A  
SCALE 3:1

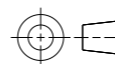


BOTTOM VIEW



THIS DRAWING IS A CONTROLLED DOCUMENT.

DIMENSIONS:  
mm



TOLERANCES UNLESS OTHERWISE SPECIFIED:  
 0 PLC ±.  
 1 PLC ±.  
 2 PLC ±.  
 3 PLC ±.  
 4 PLC ±.  
 ANGLES ±.

MATERIAL -

FINISH -

DWN P. POORTER 02NOV2012  
 CHK O. LEIJNSE 06NOV2012  
 APVD O. LEIJNSE 06NOV2012

PRODUCT SPEC -  
 APPLICATION SPEC -  
 WEIGHT -

CUSTOMER DRAWING



NAME LUMAWISE LED HOLDER OPTIC CLIP Z50, TYPE I

SIZE CAGE CODE DRAWING NO RESTRICTED TO

A3 00779 C-2213194

SCALE 2:1 SHEET 2 OF 2 REV A1