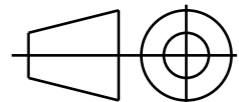


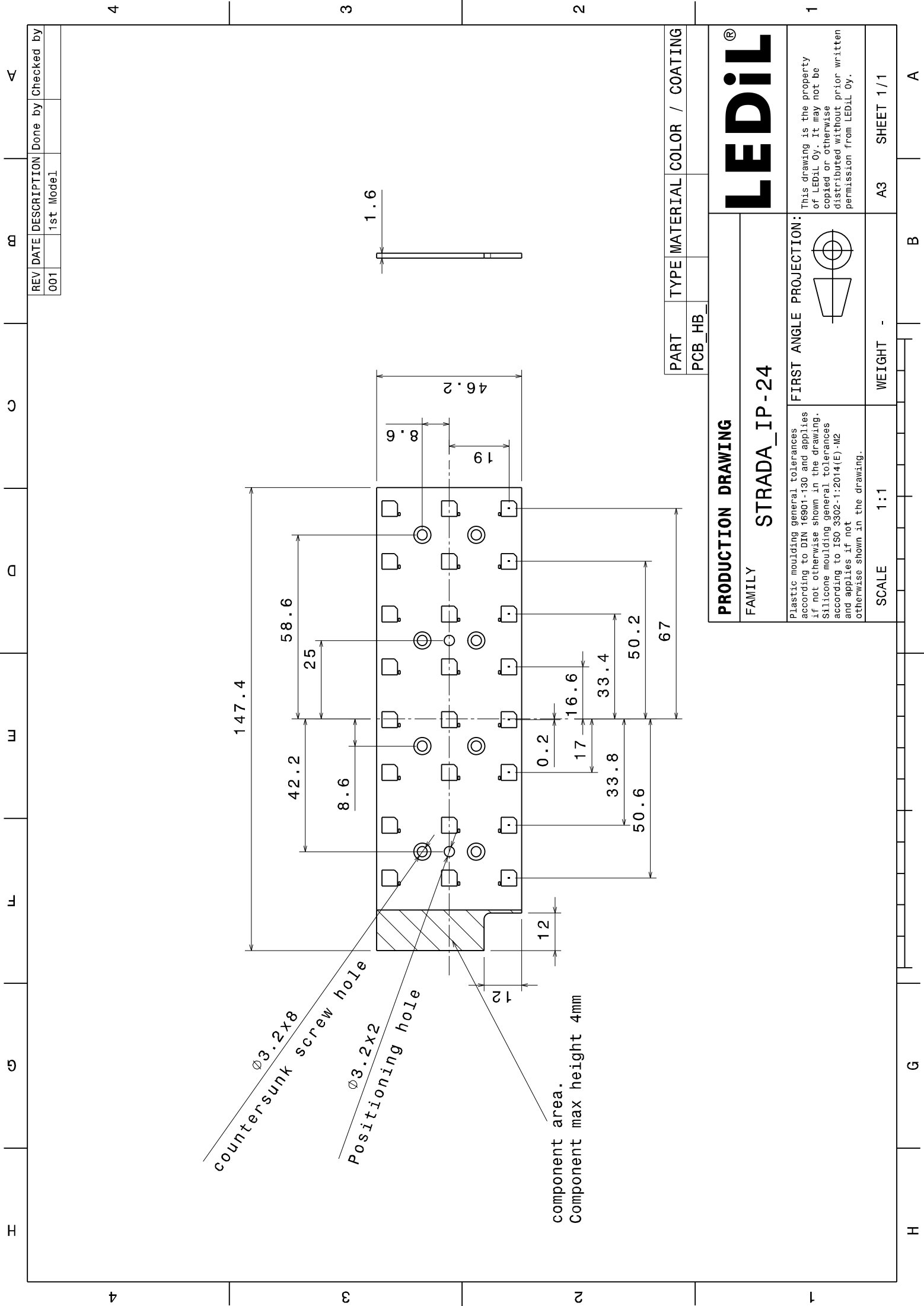


PART	TYPE	MATERIAL	COLOR / COATING
C17756_STRADA-IP-24-Seal	Seal	Silicone	
C17749_STRADA-IP-24-T3-M	Lens	PC	clear

MECHANICAL DRAWING		LEDiL [®]
PRODUCT	STRADA_IP-24	
Plastic moulding general tolerances according to DIN 16901-130 and applies if not otherwise shown in the drawing. Silicone moulding general tolerances according to ISO 3302-1 Class M3 and applies if not otherwise shown in the drawing.	FIRST ANGLE PROJECTION: 	This drawing is the property of LEDiL Oy. It may not be copied or otherwise distributed without prior written permission from LEDiL Oy.
SCALE 1:2	WEIGHT 49.8g	A3 SHEET 1/1

Notes

	PCB or heatsink level.
	LED location
	Ensure LED fitting from a product specific 3D model available from www.ledil.com
	For more details about installation please see LEDiL Installation Guide on www.ledil.com



REV	DATE	DESCRIPTION	Done by	Checked by
001		1st Model		

PART	TYPE	MATERIAL	COLOR	COATING
PCB_HB				

PRODUCTION DRAWING

FAMILY: STRADA_IP-24

LEDiL®

Plastic moulding general tolerances according to DIN 16901-130 and applies if not otherwise shown in the drawing. Silicone moulding general tolerances according to ISO 3302-1:2014(E)-M2 and applies if not otherwise shown in the drawing.

FIRST ANGLE PROJECTION:

SCALE: 1:1

WEIGHT: -

A3 SHEET 1/1

This drawing is the property of LEDiL Oy. It may not be copied or otherwise distributed without prior written permission from LEDiL Oy.